

Technical information

# MOBISCREEN MSC 702i EVO

# MOBISCREEN MSC 703i EVO



## Track-driven screening plants

Use in natural stone and recycling

## MOBISCREEN MSC EVO

Series

### HIGHLIGHTS

- > Classifying screening plant
- > Mobile double-deck screening unit (MSC 702i EVO)/  
triple deck screening unit (MSC 703i EVO)
- > Screen casing size 75 ft<sup>2</sup>
- > Maximum feed size 7" x 4" x 3"

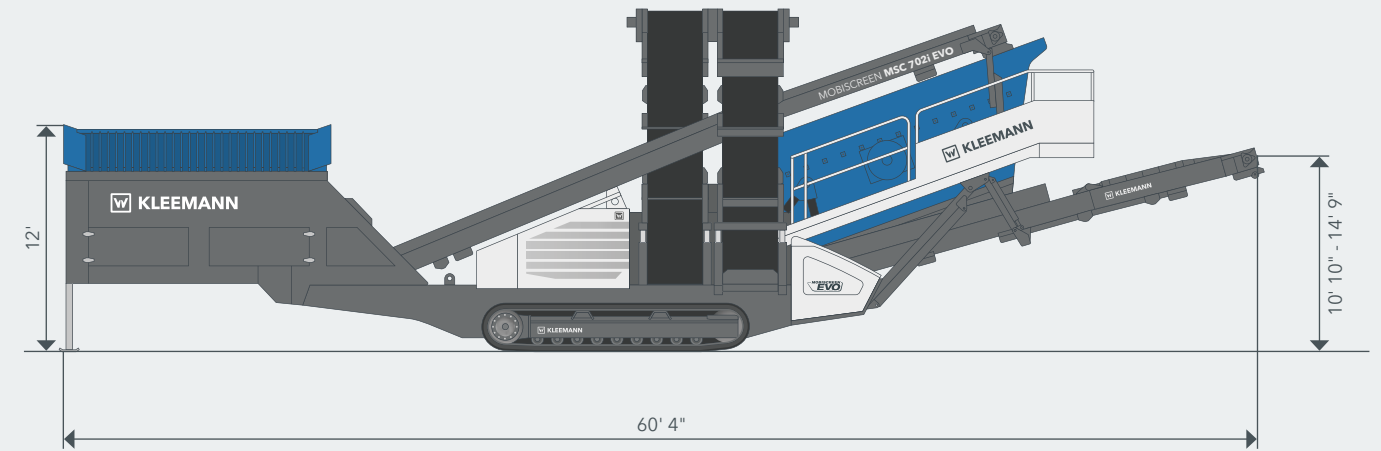
**Mobile classifying screening plants MOBISCREEN MSC EVO**

The mobile screening plants MOBISCREEN MSC 702i/703i EVO are equipped with a 75 ft<sup>2</sup> screen casing and are designed as double-deck and triple-deck classifying screens. Thanks to compact transport dimensions, short set-up times and a large selection of screen surfaces, the plants can be used flexibly.

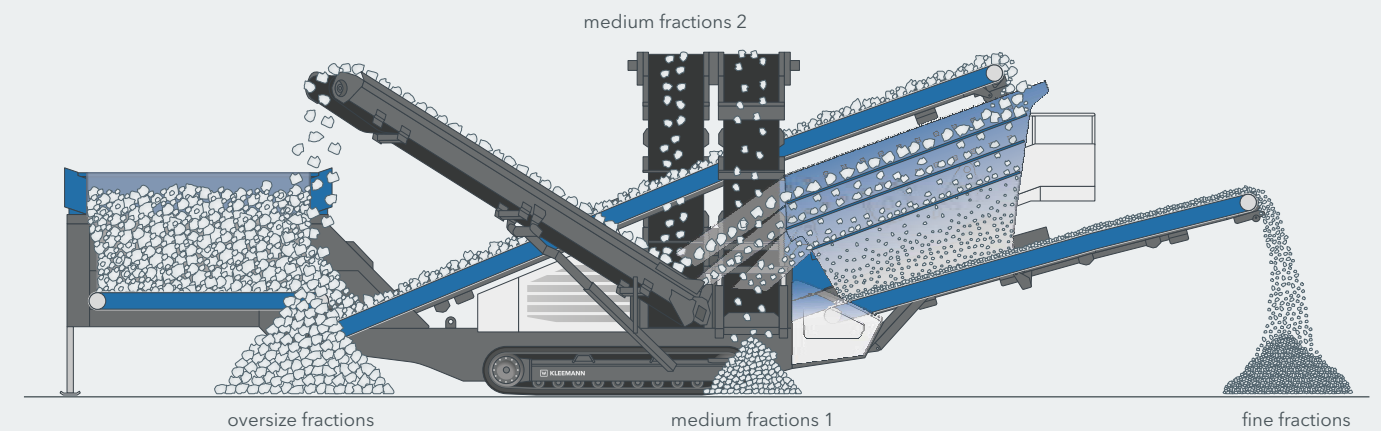


TECHNICAL DATA - US SPEC	MSC 702i EVO	MSC 703i EVO
<b>Feeding unit</b>		
Feed capacity up to approx. (US t/h)	386	386
Max. feed size	7" x 4" x 3"	7" x 4" x 3"
Feed height - foldable slotted grate	11' 9"	11' 9"
Hopper volume (yd <sup>3</sup> )	10.5	10.5
<b>Hopper discharge conveyor</b>		
Width x Length	48" x 11' 6"	48" x 11' 6"
<b>Feeding conveyor</b>		
Width x Length	48" x 33' 10"	48" x 33' 10"
<b>Screening unit</b>		
Type	Double-deck classifying screen	Triple-deck classifying screen
Width x Length	5' 1" x 14' 9"	5' 1" x 14' 9"
<b>Fine grain discharge conveyor</b>		
Width x Length	48" x 21' 8"	48" x 21' 8"
Discharge height approx.	10' 10" - 14' 9"	10' 10" - 14' 9"
<b>Discharge conveyor overflow lower deck (medium grain)</b>		
Width x Length	26" x 33' 6"	26" x 33' 6"
Discharge height approx.	16' 5"	16' 5"
<b>Discharge conveyor overflow centre deck (medium grain)</b>		
Width x Length	-	26" x 33' 6"
Discharge height approx.	-	16' 5"
<b>Transfer conveyor</b>		
Width x Length	-	26" x 5' 11"
<b>Discharge conveyor overflow upper deck (oversize grain)</b>		
Width x Length	26" x 33' 6"	20" x 29' 2"
Discharge height approx.	16' 5"	16' 6"
<b>Power supply unit</b>		
Drive concept	diesel-hydraulic	diesel-hydraulic
Power pack manufacturer (Tier 4f/stage IV)	John Deere	John Deere
Power supply unit output (hp)	98	98
<b>Transport position dimensions</b>		
Height approx.	11' 2"	11' 2"
Length approx.	54' 3"	54' 3"
Width approx.	9' 10"	10' 6"
Transport weight basic system - max. equipment approx. (lbs)	71,400 - 81,900	78,150 - 88,800

OPERATING POSITION MSC 702i EVO



MATERIAL FLOW MSC 703i EVO



The material flow of the MSC 702i and MSC 703i EVO is designed for a high output. Starting with the feed hopper, which has an impressive holding capacity and which widens in material direction of flow. The material is thus transferred via the hopper discharge conveyor with optimized distribution onto the extra-wide feeding conveyor. Thanks to impact plates on the belt discharge and screen casing loading, the material is distributed evenly on the generously

dimensioned screening surface and the screen surface is protected against wear.

Operation is via an intuitive mobile operating device that can be inserted at three points on the machine. All functions can therefore be controlled simply from a safe distance and operating statuses and machine functions can be viewed easily at all times.

## STANDARD EQUIPMENT

- > Double-deck classifying screen (MSC 702i EVO),  
Triple-deck classifying screen (MSC 703i EVO)
- > Hopper unit 10.5 yd<sup>3</sup>
- > Foldable slotted grate, gap width 4", hydraulic folding  
(remote control, small)
- > Feeding conveyor, smooth belt
- > Dosing flap on hopper unit for continuous material flow
- > Feeding conveyor material brake to prevent material from rolling  
back
- > Screen material brake prevent feed material from jumping over  
from the upper deck
- > Removable, wired machine control system used for controlling all  
driving and movement functions, adapting settings and reading out  
machine data and troubleshooting aids
- > Telematics system for efficient Fleet and Service Management

## OPTIONS

- > Hopper unit 13 yd<sup>3</sup>
- > Wear lining made from wear-resistant steel (KRS) or rubber  
(for 10.5 yd<sup>3</sup> and 13 yd<sup>3</sup>)
- > Vibrating slotted grate for separating feed material, gap width  
of upper deck 4", gap width of lower deck 1.26" - 3.54"
- > Cleated feeding conveyor prevents material from rolling back
- > Oversize grain conveyor of the MSC 703i EVO can be configured on  
the left or right (retrofit not possible)
- > Belt cover for the feeding conveyor or fine grain discharge conveyor
- > External power supply - for efficient mains operation, possible to  
change between two energy sources: own propulsion (diesel engine)  
or external power supply
- > Start-stop system for low consumption in idle phases
- > Radio remote control: crawler chassis, automatic folding function  
of the slotted grate, hopper discharge conveyor On/Off and speed  
setting, emergency stop
- > Remote control for foldable slotted grate, in addition to cable  
control (omitted if plant has radio remote control)
- > Line coupling for interlinking with other KLEEMANN plants
- > Large selection of screen surfaces for all decks with different clear  
mesh sizes
- > Anti-clogging ropes for use with sticky material
- > Water spray system for dust reduction
- > LED lighting



Economic operation of the machine also requires choosing the correct wear parts. KLEEMANN original parts are ideally tuned to the requirements of users and machines. Thanks to our application know-how and expert advice, we help our customers to find the optimal wear part for their individual application. Further information: [parts.wirtgen-group.com](http://parts.wirtgen-group.com)

### WIRTGEN AMERICA

6030 Dana Way  
Antioch, TN 37013  
USA

T: +1 615 501 0600  
M: [info.america@wirtgen-group.com](mailto:info.america@wirtgen-group.com)

[www.wirtgen-group.com/america](http://www.wirtgen-group.com/america)

