

Technical information

# MOBIBELT MBT 20i

# MOBIBELT MBT 24i



## Track-mounted stackers

For use in natural stone and recycling

## MOBIBELT

Series

### HIGHLIGHTS

- > Generously dimensioned feed hopper
- > H-DRIVE diesel-hydraulic drive concept, external power supply (optional)
- > Simple operation thanks to SPECTIVE operating position and local control elements
- > Hydraulically adjustable feeding and discharge height

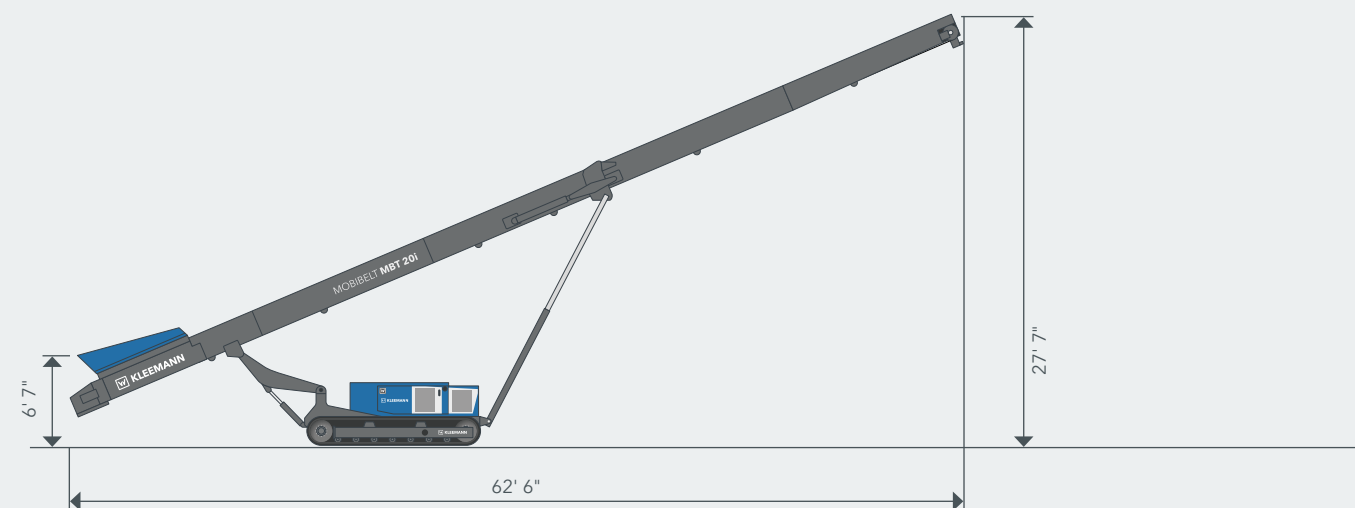
**Mobile stackers MOBIBELT**

The MOBIBELT MBT 20i/MBT 24i mobile stackers are used logistics processes on building sites. They flexibly extend the operating range of mobile crushing and screening plants and

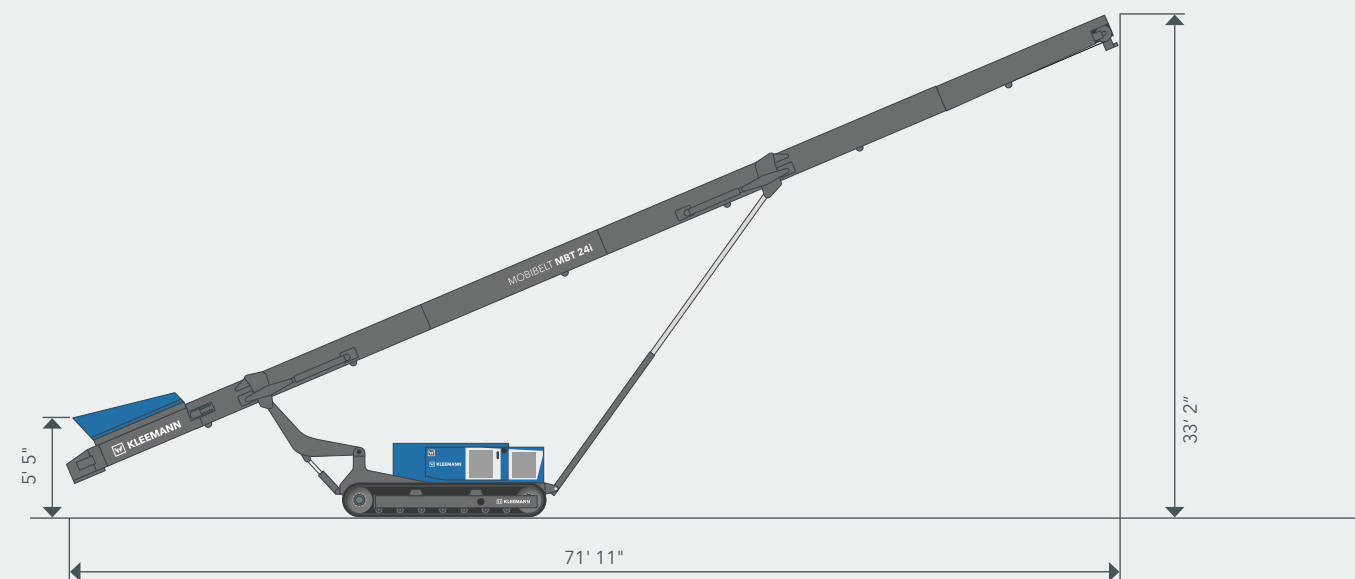
guarantee larger stockpiles, improved building site logistics and easy operation.



OPERATING POSITION MBT 20i



OPERATING POSITION MBT 24i



TECHNICAL DATA	MBT 20i	MBT 24i
<b>Feeding unit</b>		
Feed capacity up to approx. (US t/h)	496	496
Max. feed size	8"	8"
Hopper (yd <sup>3</sup> )	1.6	1.6
<b>Conveyor belt</b>		
Width x length	39" x 63' 8"	39" x 74' 6"
Discharge height approx. at 23° belt inclination	27' 7"	33' 2"
Stockpile volume (yd <sup>3</sup> ) at 23° belt inclination	1120	1770
Belt specifications	EP400/3 5+1.5	EP400/3 5+1.5
Belt conveyor drive (in <sup>3</sup> )	38, hydraulic motor	38, hydraulic motor
Troughing angle	45°	45°
<b>Power supply unit</b>		
Drive concept	diesel-hydraulic	diesel-hydraulic
Power pack manufacturer stage V	John Deere	John Deere
Power supply unit output (hp)	72 (2,400 rpm)	72 (2,400 rpm)
Diesel fuel tank (gal)	58	58
<b>Dimension and weights</b>		
<b>Operating position</b>		
> Width x length	7' 6" x 62' 6"	7' 6" x 71' 11"
> Height	28' 4"	34'
<b>Transport dimensions (without options)</b>		
> Transport length	39' 1"	38' 9"
> Transport width	7' 6"	7' 6"
> Transport height max.	8' 4" <sup>1)</sup>	8' 4" <sup>1)</sup>
> Weight of basic equipment approx. (lbs)	24,750	27,750

<sup>1)</sup> with disassembled hopper

The MOBIBELT mobile stackers are used for product transfer within a plant train and for tipping onto large stockpiles. The direct material transport from the crushing or screening plant to the dedicated stockpile means that additional material movements with the wheel loader can

be avoided. This reduces operating costs, increases operational reliability and efficiency. Furthermore, safety on the building site is increased because the less traffic there is on a building site, the fewer the sources of danger.

## STANDARD EQUIPMENT

- > Feed hopper made of KRS with a volume of 1.6yd<sup>3</sup>
- > Lower belt impact station as damping element in the central feeding area
- > For transport, hydraulically folding discharge (MBT 20i and 24i) and manually folding feed side (only MBT 24i)
- > Conveyor belt, smooth version
- > SPECTIVE operating position and local control elements for simple operation
- > LED lighting
- > Front scraper for improved cleaning of the belt return run particularly with a high content of fines in the feeding material

## OPTIONS

- > Hopper extension with impact bar, increase in hopper volume to 3.3 yd<sup>3</sup>
- > Feeding side hydraulically foldable, simplifies and accelerates folding of the belt for transport (only MBT 24i)
- > Conveyor belt, cleated belt version, incl. impact roller
- > Conveyor belt, reinforced version, incl. flat scraper
- > Anti-Rollback prevent material from rolling back on the conveyor belt
- > Full length lateral belt sealing for better protection against material leakages
- > Belt scale for recording the plant performance
- > Belt cover for reducing dust emission
- > Twin drive for conveyor belt, increases the conveying capacity up to 661 US t/h at 23° belt inclination
- > External power supply for efficient mains operation
- > Water spray system at belt discharge for dust reduction
- > Radio remote control for moving the crawler chassis, emergency stop
- > Premium lighting
- > Line coupling for linking with other KLEEMANN plants



For the machine to operate efficiently, it is essential that the correct wear parts are used. KLEEMANN original parts are optimally adapted to the requirements of both the user and the machine. We use our application know-how and expert advice to help our customers find the right wear part to meet their specific needs.

For further information, visit: [parts.wirtgen-group.com](http://parts.wirtgen-group.com)

## WIRTGEN AMERICA

6030 Dana Way  
Antioch, TN 37013  
USA

T: +1 615 501 0600  
M: [info.america@wirtgen-group.com](mailto:info.america@wirtgen-group.com)

[www.wirtgen-group.com/america](http://www.wirtgen-group.com/america)

