

Agile, High-Performance Compact Milling Machine
for a Wide Range of Milling Tasks

COLD MILLING MACHINE W 150 Fi



AGILE, HIGH-PERFORMANCE COMPACT MILLING MACHINE FOR A WIDE RANGE OF MILLING TASKS

The most powerful cold milling machine in the compact class is the ideal choice for working on medium-sized construction projects on sites with limited space, e.g. in city centers.

The innovative **MILL ASSIST** machine control system assures sustainable and efficient machine operations with high productivity.

The **BASIC** or **VARIABLE** versions of MCS (Multiple Cutting System) enable the use of various different milling drums with working widths from 0.6 m to a maximum of 1.8 m for greater flexibility and higher machine utilization rates.

The state-of-the-art **LEVEL PRO ACTIVE** leveling system, the intuitive operating concept, and further digital assistance systems enable efficient one-person machine operation and ensure precise milling results.

The optimized machine weight makes transportation easier, and the mid-mounted milling drum assembly ensures ideal weight distribution and high traction.



WIRTGEN COLD MILLING MACHINES



SMALL MILLING MACHINES

- > Milling width up to 1,300 mm
- > Milling depth to 300 mm

COMPACT MILLING MACHINES

- > Milling width up to 1,900 mm
- > Milling depth to 330 mm

LARGE MILLING MACHINES

- > Milling width up to 4,400 mm
- > Milling depth to 350 mm

OVERVIEW OF HIGHLIGHTS

Perfectly equipped

COMFORT AND VISION

01 Perfection in Comfort and Ergonomics

- > Perfect, ergonomically-designed operator's platform for a high level of comfort and well-being
- > State-of-the-art operator's cabin for highest levels of comfort and productivity (optional)
- > The large 5-inch control screen in the multifunctional armrest displays essential information
- > Powerful heater for the operator's platform
- > Generously dimensioned stowage compartments
- > Smart vandalism protection concept for the control units

02 Unrivaled All-Round Vision Concept

- > Hydraulic, laterally adjustable operator's platform provides an excellent view along the zero side
- > High-quality camera/monitor system with two or six cameras
- > The variably-adjustable weather canopy can be raised, lowered, and shifted to either side when working in tight spaces or where the headroom is low
- > High-performance LED lighting system
- > Adjustable, push-button controlled foldaway rear-view mirror on the left side of the machine

ASSISTANCE AND LEVELING SYSTEMS

03 Precise Leveling with LEVEL PRO ACTIVE

- > Innovative LEVEL PRO ACTIVE leveling system
- > Leveling boom with Sonic-Ski sensor on one or both sides
- > Optimized Pre-Fitting with 3D and Laser Leveling
- > Optimized Multiplex system with 3-fold scanning

04 Informative WPT - WIRTGEN PERFORMANCE TRACKER

- > Telematics system with WPT add-on option
- > Direct display of truck loading
- > Clearly structured site documentation
- > Fast and precise project accounting

05 Intuitive Assistance Systems

- > MILL ASSIST automatic mode with additional pre-selection of operating strategy
- > Automatic lifting of scraper and side plates
- > ACTIVE CONVEYOR
- > Active Lift Up / Active Lift Over
- > Active Transport Control



MILLING AND LOADING

06 Superior Cutting Technology for High Milling Performance

- > Extremely hard-wearing **HT22** quick-change toolholder system with field-proven **HT22 PLUS** top part
- > FB1200 and FB1500 with **MCS VARIABLE** for different milling applications
- > Additional milling width FB1800 with **MCS BASIC** for increased area performance
- > Program for protection of edge rings when milling in bends
- > Hydraulic pick ejector for quick and easy pick changes

07 Maximum Loading Capacity

- > Wide conveyor slewing angles of 65° to each side
- > Higher belt cleat profile for increased conveyor capacity
- > Hydraulically-folding conveyor for compact transport dimensions
- > "Booster" function for temporarily increased discharge trajectory
- > Two conveyor slewing speeds

PERFORMANCE AND SERVICE

08 Performance Meets Efficiency 

- > State-of-the-art John Deere engine with torque curve specially optimized for cold milling machines
- > Extended milling drum rotation speed range for a wide range of cost-efficient milling applications
- > Rugged electrics concept with CAN bus reserve circuits



WIRTMEN
SUSTAINABILITY

WIRTMEN SUSTAINABILITY denotes technologies and solutions that contribute to the sustainability goals of the WIRTMEN GROUP.

DRIVING AND STEERING

09 Fast and Agile Maneuvering

- > ISC - intelligent speed control for minimal track slip
- > Fast maneuvering at travel speeds of up to 7.5 km/h
- > Large steering lock angle on all four track units for minimal turning radii
- > Fast machine height adjustment
- > Easily mountable 900 kg ballast weight

ENVIRONMENT AND SUSTAINABILITY

10 Environmental Compatibility for the Future 

- > Dynamic engine control assistant for low CO₂ emissions
- > Three-part water spray bar with demand-dependent injection for minimal water consumption
- > Fuel-saving, low-noise dual fan concept
- > Improved, performance-optimized VCS extraction system

COMFORTABLE OPERATOR'S PLATFORM FOR HIGH EFFICIENCY

Fatigue-Free Working

Perfectly designed operator's platform

Everything at Your Fingertips

Ergonomic multifunctional armrest





02



03



01

Operator's Platform with Perfect Ergonomics for Outstanding Comfort

The completely redesigned operator's platform impresses with outstanding comfort, ergonomically designed controls, high-quality haptics, and modern design. All in all, this significantly increases the operator's well-being and efficiency.

Large 5" Control Screen Installed in the Multifunction Armrest Shows All Essential Information

In addition to the milling depth on the right and left, a wealth of important information such as machine load status, temperatures, hydraulic pressures, diesel and water fill levels, and status and diagnostic messages are clearly displayed in color on the 5" control screen in the armrest.

01 Ergonomics and comfort increase the operator's well-being and efficiency.

02 5" control screen with clearly structured and informative displays.

03 The optional XXL stowage compartment has room for up to 34 pick containers.

High-Performance Heating System on The Operator's Platform

The high-performance hot air heating system installed near the seat ensures the operator's comfort when working in cold weather.

Generously Dimensioned Stowage Compartments

The compact milling machine offers plenty of stowage space for leveling sensors, pick ejectors, and pick boxes. The factory-fitted stowage compartments offer space for a total of up to 25 pick boxes.

Smart Vandalism Protection Concept for Control Units

The innovative vandalism protection system allows the linear 7" universal display and the 10" camera display (optional) to be shifted upwards and reliably secured against theft and destruction. The main control panel can be simply closed up and locked.

A PERFECT OVERVIEW ENSURES BETTER MILLING RESULTS



Complete Concentration on the Milling Process

Optimal vision plus camera/monitor system



The movable operator's platform provides an ideal overview of all important working areas.

Hydraulic, Laterally Adjustable Operator's Platform Provides an Excellent View Along the Zero Side

The operator's platform can be hydraulically moved outwards by 200 mm to provide an optimal view of the milling drum assembly and the front right track unit.

High-Quality Camera / Monitor System with Two or Six Cameras

With two cameras, the standard 7" control panel displays high-resolution views of the loading situation and the area behind the machine. With six cameras, the additional 10" control panel shows the loading situation, the area behind the machine, the loading situation, the area behind the milling drum assembly, the area in front of the left side plate, the front left track unit, and the left side of the machine.



The vertically and horizontally adjustable weather canopy provides optimum protection in a range of different working positions - especially on construction sites with restricted space.

The Variably-Adjustable Weather Canopy Can be Raised, Lowered, and Shifted to Either Side When Working in Tight Spaces or Where Headroom is Restricted

The position of the weather canopy can be individually adjusted to meet the demands of the respective operating and weather conditions. The height of the canopy can be adjusted hydraulically at the touch of a button even during milling operations, e.g. to avoid low-hanging branches on tree-lined streets.

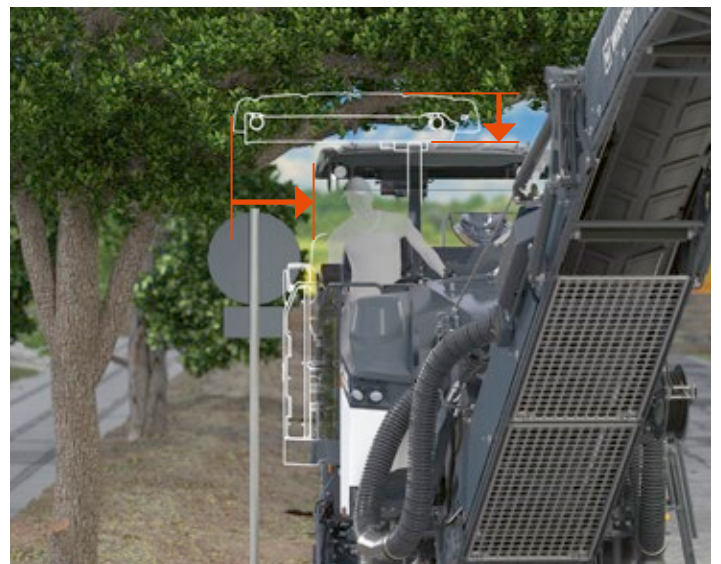
Lateral adjustments of the weather canopy are made by hand.

High-Performance LED Lighting System

The compact milling machine has particularly powerful LED working lights all around the machine, lighting for the operator's platform, illuminated control panels, and "welcome and go home lights" for convenient access.

Adjustable, Foldaway Rear-View Mirror on the Left Side of the Machine, Push-Button Controlled

The compact milling machine features an electrically controlled, heatable rear-view mirror on the front left side of the machine that can be adjusted from the operator's platform. The mirror can be conveniently folded in hydraulically without having to leave the operator's platform, e.g. to avoid low-hanging branches or street signs.



INNOVATIVE COMFORT CABIN FOR EVEN HIGHER PRODUCTIVITY

01



01 The operator is always ideally protected against external influences when working in the cabin.

02 In combination with its all-round glazing, the state-of-the-art workplace offers an ideal overview of the entire construction site.



Thanks to the adjustable positioning of the cabin, the W 150 Fi is also the ideal choice for working on sites with restricted space - e.g. on tree-lined streets.

High Motivation Factor

The operator's cabin is an attractive workplace and stands out as a unique highlight in the compact milling machine class. This motivates operators and further increases their commitment.

Outstanding Operating Comfort with Minimal Physical Stress

In addition to providing optimal protection against noise, dust, and weather conditions such as rain, wind, heat, and cold, the cabin also offers maximum operating comfort: the state-of-the-art workplace offers air conditioning with temperature regulation, low ambient noise levels, a radio, an operating concept with minimal physical stress, and more, as well as consistently productive efficiency.

Clean and Fresh Air in the Operator's Cabin

The air flowing into the positive-pressure cabin is cleaned by an efficient filter system to prevent dust and dirt particles entering from outside. This guarantees minimization of the dust which is typically encountered on construction sites.

Better Protection Against Vandalism

The lockable cabin door reliably protects against forcible entry, willful damage to control panels and the interior, and theft. Extra vandalism protection equipment no longer needs to be installed or removed and stowed away.

High-Quality Camera / Monitor System with Six Cameras

The additional 10" control panel shows high-resolution views of the loading situation, the area behind the machine, the area behind the milling drum assembly, the area in front of the left side plate, the front left track unit, and the left side of the machine.

Improved Communication

The low-noise operator's cabin enables easier communication with the site office or crew members during jobs.

Milling Also Possible in the Case of Obstacle Heights of 3.0 m or More

The compact milling machine with a hydraulically adjustable cabin can also cope with working situations in which milling has to be carried out under obstacles with an obstacle height of 3.0 meters or more.

Easy Transportation

Thanks to the low transport position of the operator's cabin, the height of the machine remains unchanged. This means that no regulatory limitations apply when transporting the machine.



02

PRECISE LEVELING WITH LEVEL PRO ACTIVE



Always Perfectly Leveled
LEVEL PRO ACTIVE

Precise Height Compensation
Multiplex system

Innovative LEVEL PRO ACTIVE Leveling System

The high-precision **LEVEL PRO ACTIVE** leveling system was specially developed for cold milling machines and features an informative 7" control panel that is not only intuitive and easy to operate, but also offers numerous automatic and additional functions that make the operator's job easier. For example, the entire machine can be raised automatically to drive over a manhole cover and then lowered back to the starting position.

Leveling Boom with a Sonic-Ski Sensor on One or Both Sides

Leveling booms with Sonic-Ski sensors enable contactless scanning of a stringline or a reference surface next to the milled edge on either side. During milling, the leveling boom with the Sonic-Ski sensor can be moved outwards hydraulically by up to 840 mm from the operator's platform. A mechanical setting provides an additional 880 mm of telescopic travel.

Optimized Pre-Fitting with 3D and Laser Leveling

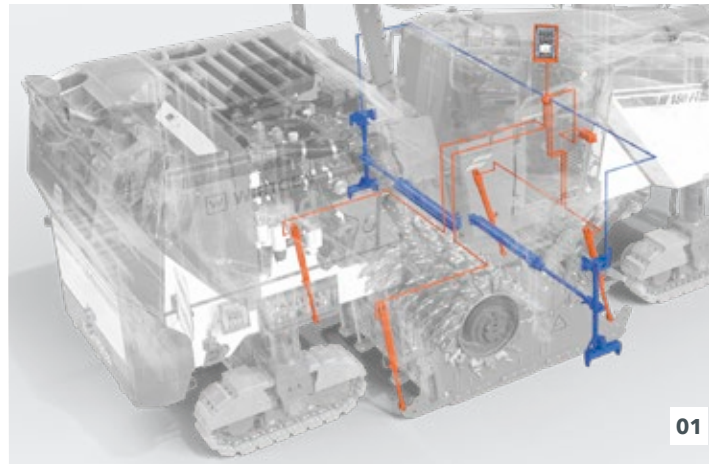
The greatly simplified installation of the pole-mounted laser sensor makes it easier to use 3D systems.

Improved Multiplex System with 3-Fold Scanning

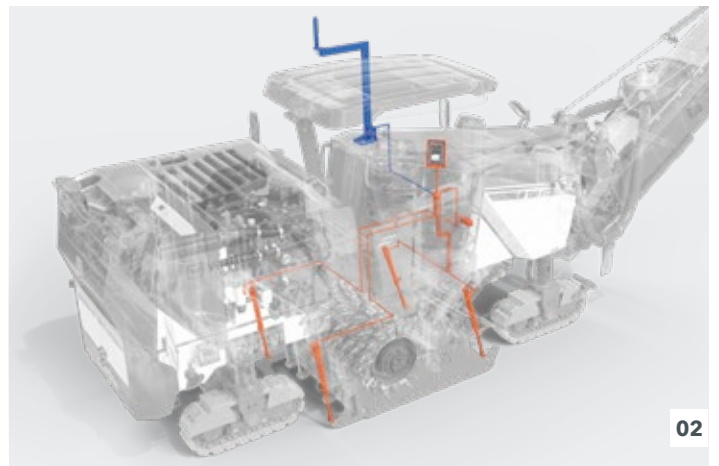
The user-friendly Multiplex system can be easily mounted on the machine. It consists of two additional ultrasonic sensors mounted on flexibly adjustable brackets on each side of the machine. The key advantages of the system are its low weight and wide adjustment range for a broad spectrum of leveling applications.

Hydraulic Scanning Sensor

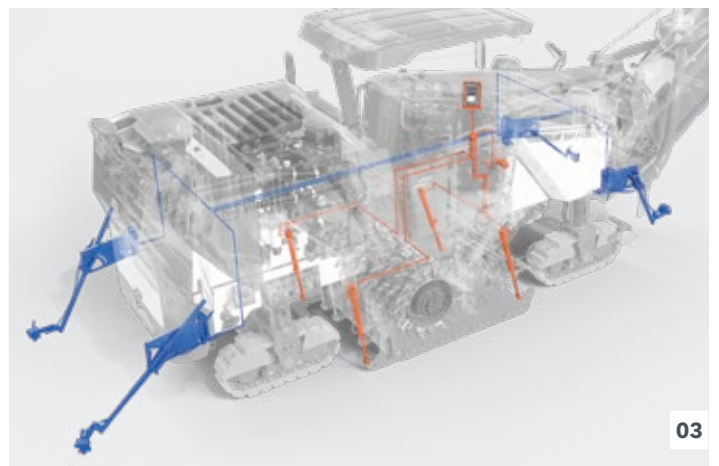
A hydraulic cylinder sensor scans the reference height in front of the milling drum.



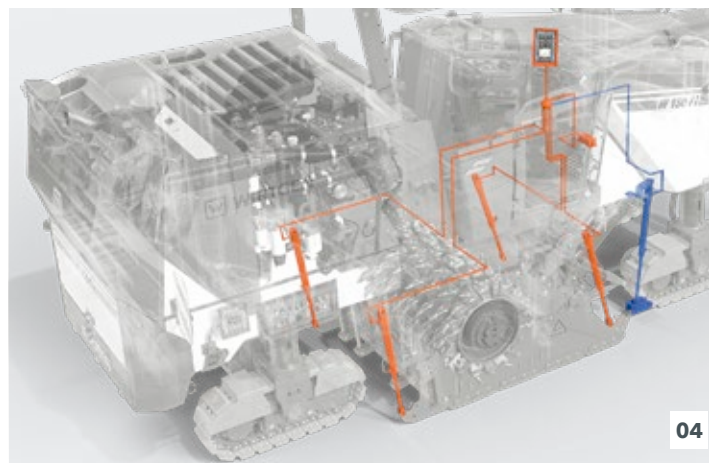
01



02



03



04

01 Telescoping leveling boom on the right or left

02 3D leveling / laser leveling

03 Multiplex system with up to four additional ultrasonic sensors

04 Scanning in front of the milling drum, right

 ■ = Standard equipment
 ■ = Optional equipment

WIRTGEN PERFORMANCE TRACKER

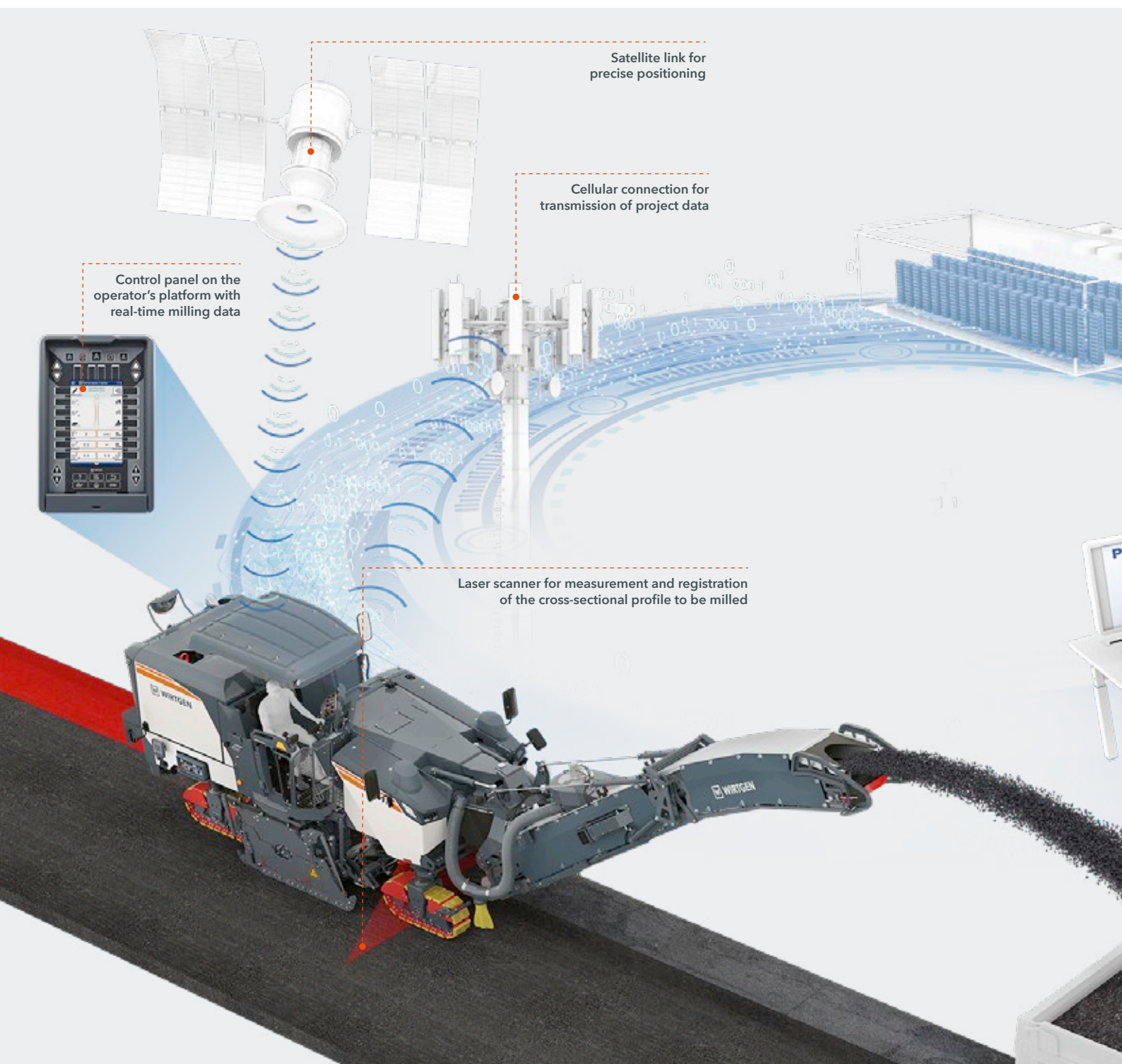
Informative WPT

Comprehensive Job Data

Site reports by e-mail

Easy Accounting

No additional costs for surveying



Satellite link for precise positioning

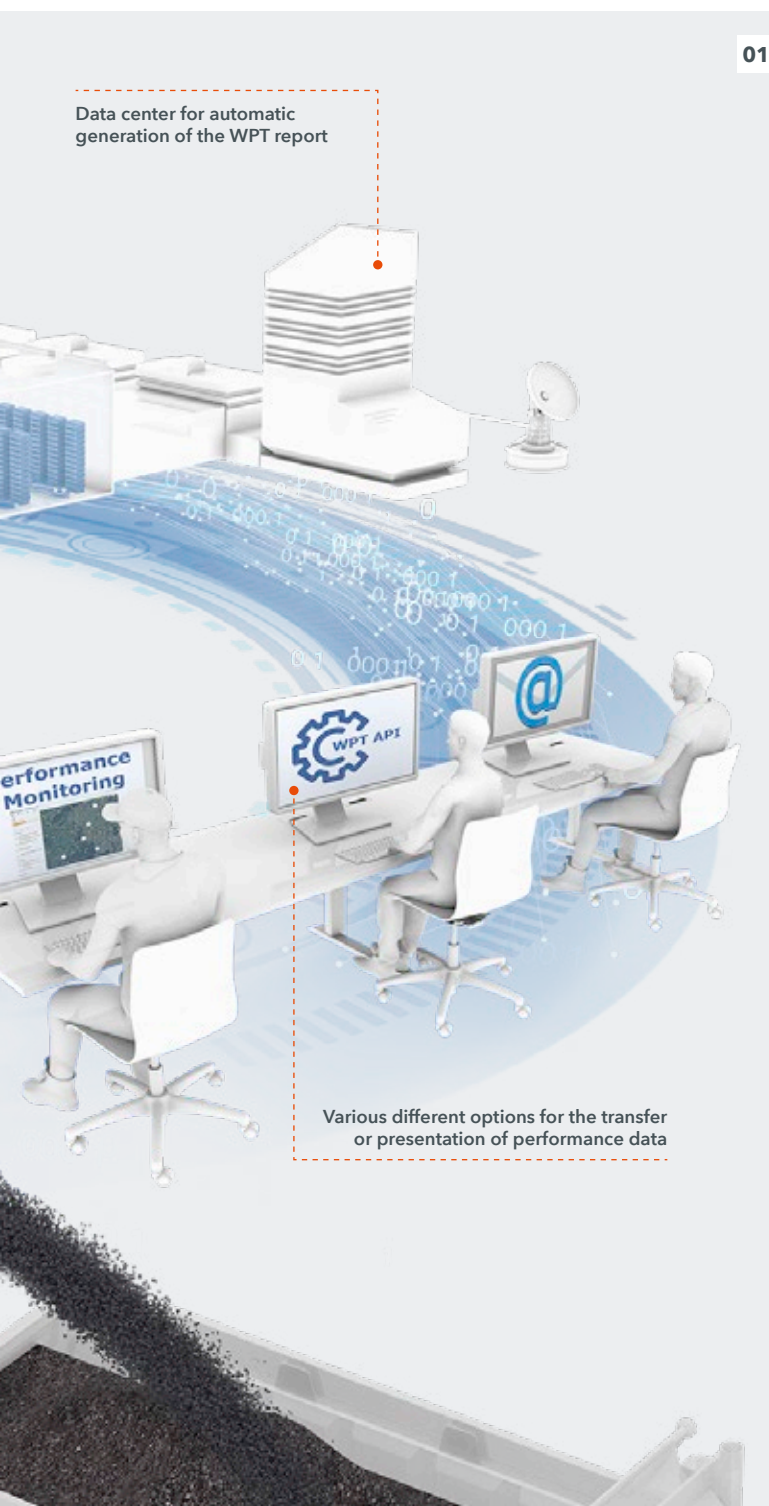
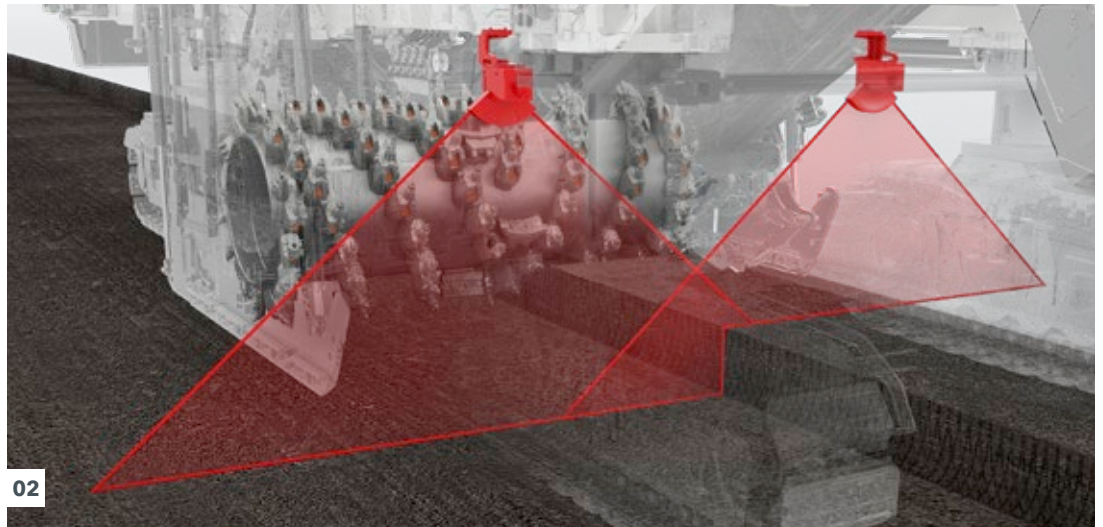
Cellular connection for transmission of project data

Control panel on the operator's platform with real-time milling data

Laser scanner for measurement and registration of the cross-sectional profile to be milled

01 The operator is kept constantly informed about current machine and application parameters - the relevant data are transmitted to the machine owner after the end of work.

02 The actual, currently implemented milling width is scanned by a laser scanner and clearly displayed on the control panel.



Data center for automatic generation of the WPT report

01

Telematics System with Add-On WPT Option

WPT - the **WIRTMEN PERFORMANCE TRACKER**, uses laser scanning to determine the cross-sectional profile to be milled. Area milling performance and milling volume are then precisely calculated using GNSS positioning and other sensors. The control panel on the operator's platform provides the machine operator with a constant real-time overview of the milling data registered by WPT. After project completion, an automatically generated report containing all relevant performance and consumption data is forwarded to the machine owner.

At the same time, Performance Monitoring in the Operations Center even allows the measured data to be clearly displayed in real-time during the ongoing process.

Direct Display of Truck Loading Status

The actual, currently implemented milling width is scanned by a laser scanner and displayed directly on the control panel together with the current truck loading status. The display of the tonnage currently loaded onto trucks makes it easy for the machine operator to prevent overloading.

Clearly Structured Site Documentation

Once the milling work has been completed, a report is automatically generated in Excel and PDF format and forwarded, for example, to the machine owner's project management office by e-mail. The site survey report contains precise information about the milling volume, milled area, milling depths with corresponding GPS coordinates, and the consumables used.

Fast and Precise Project Accounting

The prompt, simple calculation of the surface area required for the correct invoicing of the work performed saves further costs, e.g. as incurred by the employment of an external surveyor.

Various different options for the transfer or presentation of performance data

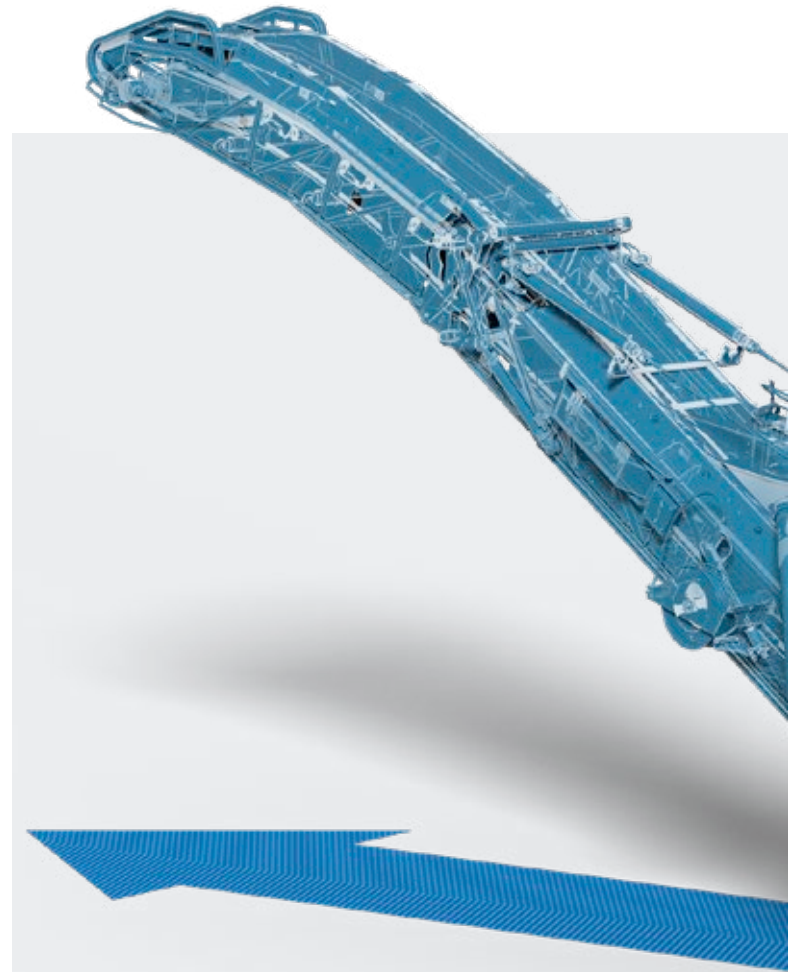
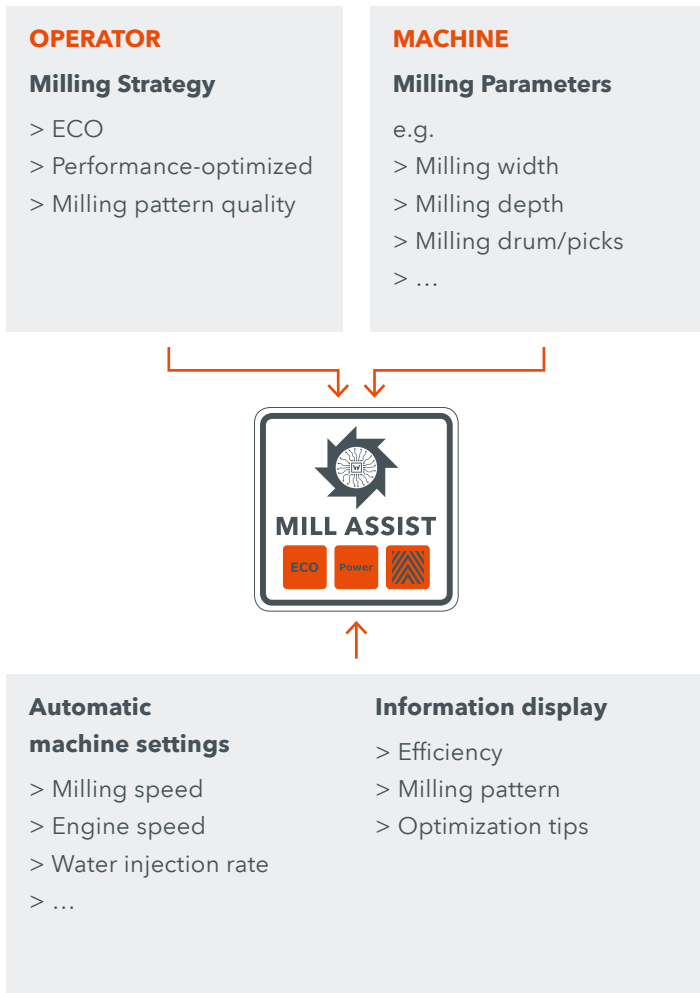
INNOVATIVE MILL ASSIST

Efficient machine control

MILL ASSIST Automatic Mode with Additional Pre-Selection of Operating Strategy

In automatic mode, the innovative **MILL ASSIST** machine control system always selects the operating strategy with the best balance between performance and costs. The process is optimized by automatic adjustment of the engine and milling drum speeds, the advance drive, the water system, and the machine's advance rate. This significantly reduces the operator's workload while improving machine performance and considerably reducing diesel fuel consumption, CO₂ emissions, and noise.

The operator can also pre-select one of three working strategies: "ECO," "performance-optimized," or "milling pattern quality." The machine then automatically adjusts the relevant parameters based on the selected operating strategy and displays suggestions for any improvements that may be necessary. The operator can preset the required milling pattern quality by selecting the ideal parameter from a scale from 1 to 10. This then automatically adjusts the milling drum speed and milling rate under consideration of the milling drum type in use.



WIRTGEN
SUSTAINABILITY

Automatic Lifting of the Scraper And Side Plates

If necessary, the right and left side plates are briefly raised automatically to prevent them from sinking into soft ground. Overload sensors protect the milling drum assembly from damage by triggering brief lifting of the scraper, e.g., to avoid obstacles or uneven ground.

Active Conveyor

When repositioning the discharge conveyor in difficult situations on the site, the semi-automatic Active Conveyor slewing angle control system assists the operator in the best possible way - such as when milling in intersections or maneuvering around road fixtures.

Active Lift Up / Active Lift Over

The automatic Active Lift Up function avoids unevenness in the milling surface by raising the milling drum when the machine is idle. At the press of a button, Active Lift Over automatically lifts the milling drum a little shortly before reaching a solid obstacle in its path - e.g. a manhole cover - drives over the obstacle, lowers the milling drum again and continues milling at the original milling depth.

Active Transport Control

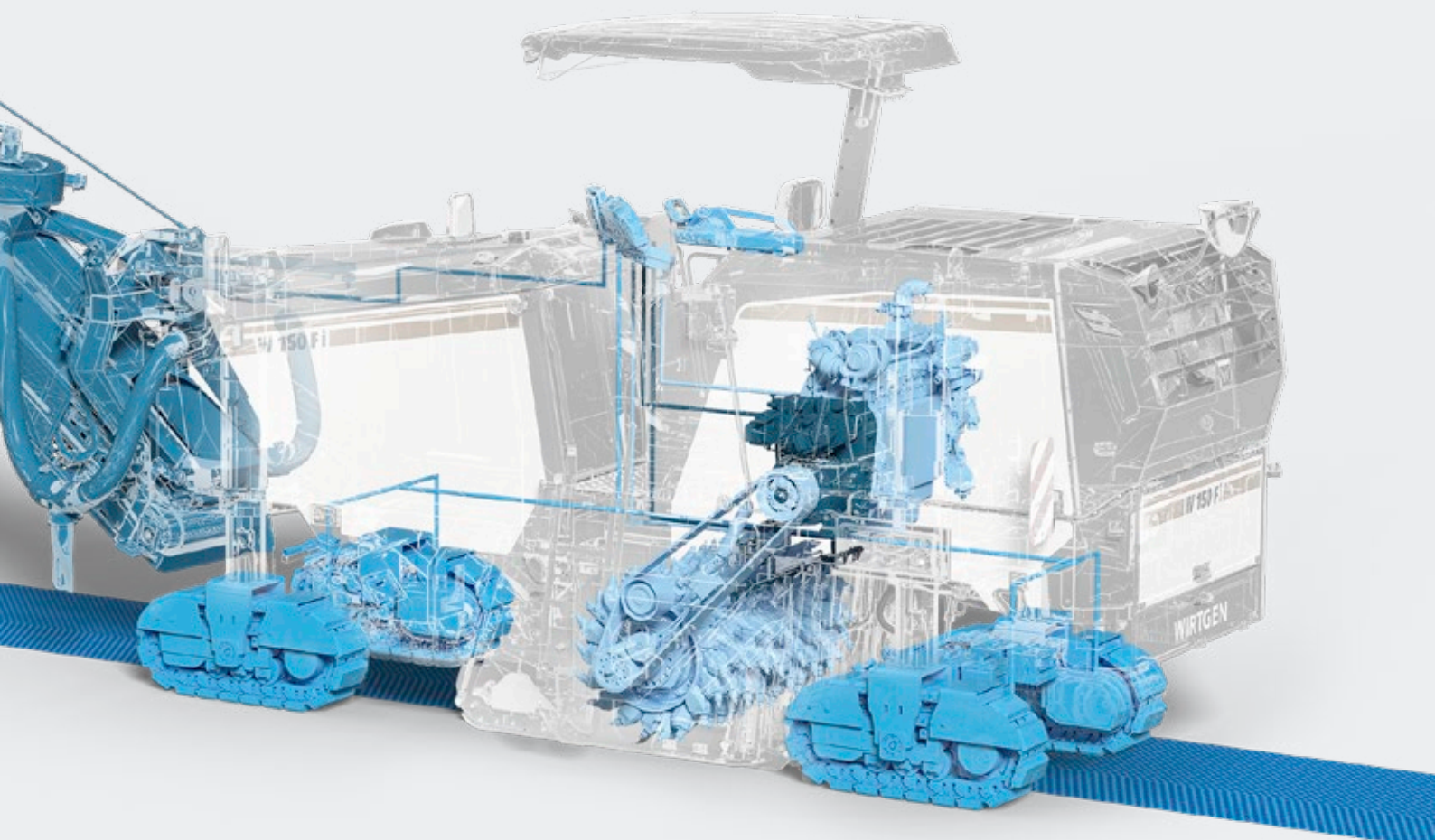
The automatic function conveniently aligns the cold milling machine horizontally when relocating it in transport mode. It also automatically deactivates the water supply and the conveyor.

MILL ASSIST

Efficient automatic milling

Three Strategy Presets

Optimal machine settings

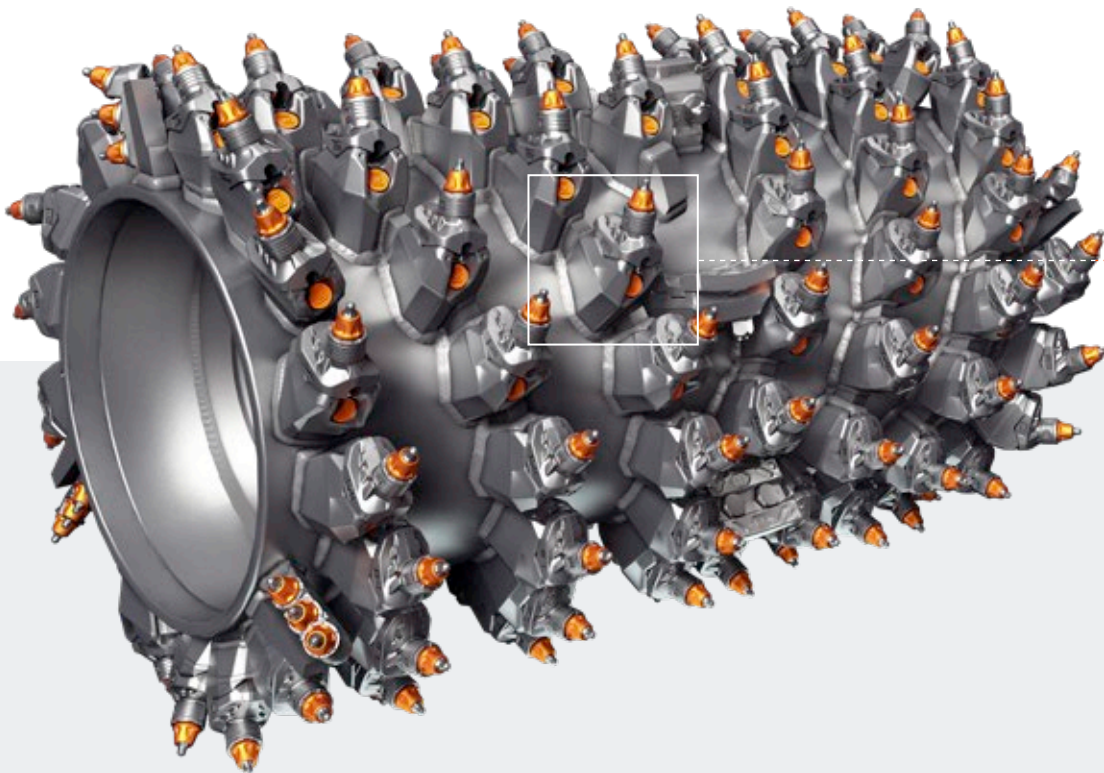


SUPERIOR CUTTING TECHNOLOGY

Extremely Hard-Wearing Quick-Change Toolholder System HT22 with Tried-And-Tested Top Part HT22 *Plus*

Compact milling machines equipped with milling drums with the **HT22** quick-change toolholder system are the ideal choice for extremely challenging milling tasks. In addition, the rugged construction of the milling drum enables quick on-site replacement of the top parts of quick-change toolholders whenever required.

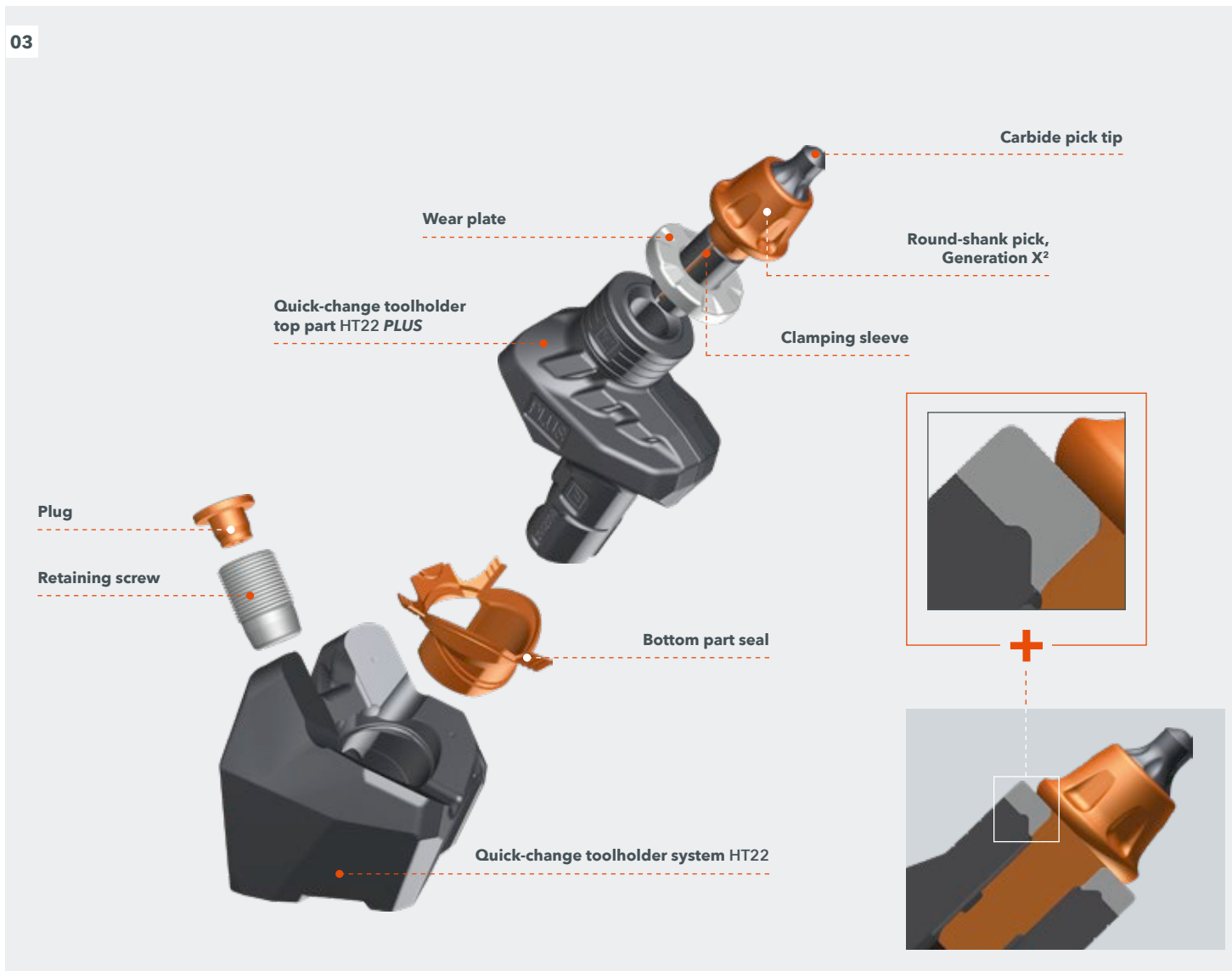
The new quick-change toolholder HT22 **PLUS** top part features an innovative centering marks embossed into the pick contact surface. In combination with the new Generation X² round-shank picks, toolholder wear is reduced by up to 25%. The rotation behavior of the round-shank picks has also been optimized. The most significant benefits of the new top part are higher quality of the milled surface and longer intervals between changes.





- 01** Extremely wear-resistant quick-change toolholder system HT22.
- 02** The quick-change toolholder system HT22 guarantees fewer pick changes, shorter idle times, longer maintenance intervals, and higher machine utilization rates.
- 03** The quick-change toolholder system HT22 in detail.

03



SUPERIOR CUTTING TECHNOLOGY

FB1200 and FB1500 with MCS VARIABLE for a Broad Spectrum of Milling Applications

The Multiple Cutting System **MCS VARIABLE** is available for the milling drum assemblies FB1200 and FB1500 with milling widths of FB600, FB900, FB1200, and FB1500 (milling drum assembly FB1500 only). The milling drum can be quickly exchanged thanks to the easily removable center bolt. The use of milling drums with different widths opens up a wide range of possible uses of the W 150 Fi with maximum efficiency and cost-effectiveness.

Additional Milling Width FB1800 with MCS BASIC For Increased Area Performance

The W 150 Fi can also be fitted with a milling drum assembly for 1.8 m wide milling drums to increase productivity and area performance. The Multiple Cutting System **MCS BASIC** is available for the milling drum assemblies FB1500 and FB1800. **MCS BASIC** enables the use of milling drums with different tool spacings for a wide range of applications with increased machine productivity.

Protection of Edge Rings when Milling in Curves

The automatic function increases the milling drum speed when milling in curves, thus reducing material wear on the edge ring segments, which are subject to higher stresses in curves.

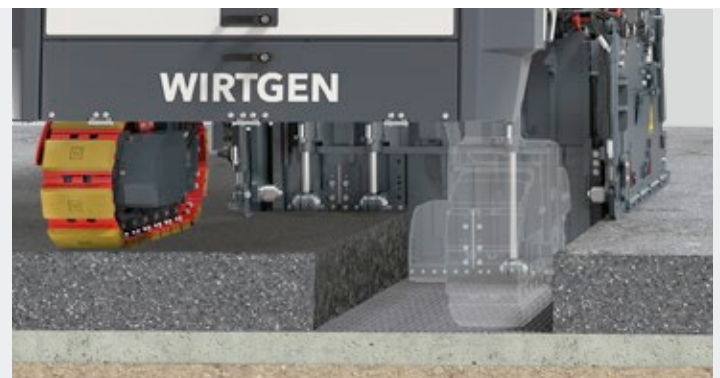
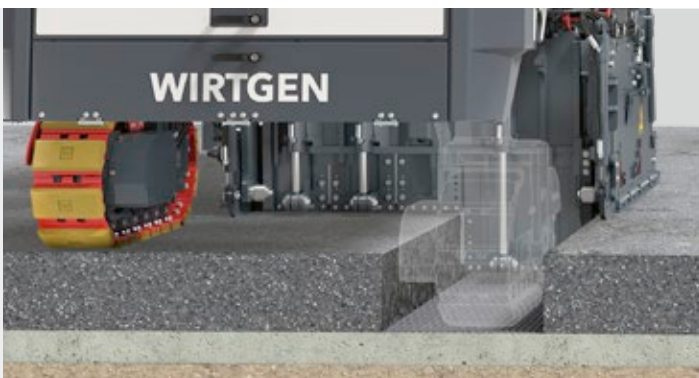
Hydraulic Pick Ejector for Quick and Easy Pick Changes

The low-noise and low-vibration pick ejector and the milling drum rotation device are hydraulically-driven. In combination with the conveniently accessible milling drum, they make changing picks a quick and easy task, even when the engine is switched off.

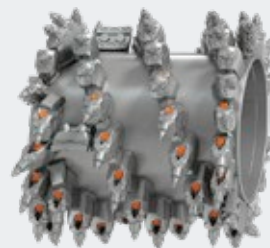
WIRTGEN > GOOD TO KNOW



If required, the simple conversion to the use of an ECO-Cutter milling drum results in reduced cutting resistance, which in turn leads to lower diesel fuel consumption and a reduction of CO₂ emissions.



Standard Milling Drum
 Milling width: 600 mm
 Milling depth: 0 - 280 mm
 Tool spacing: 12 mm



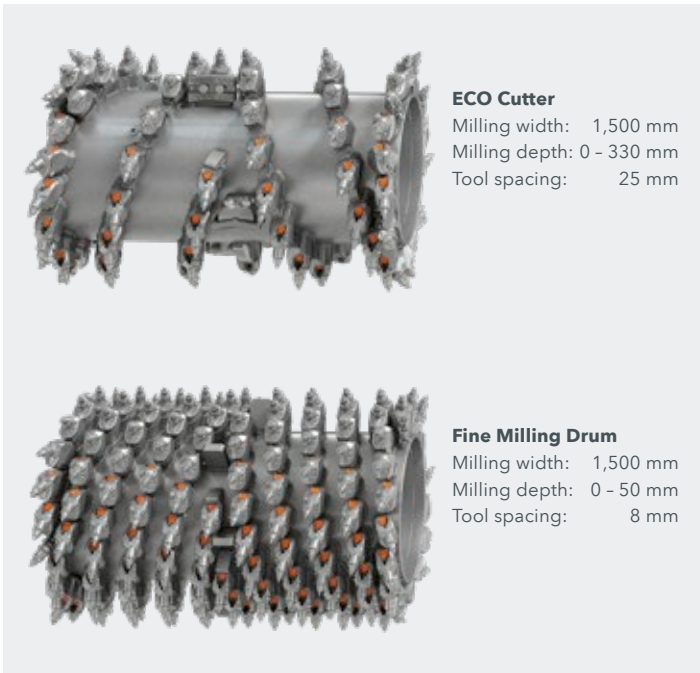
Standard Milling Drum
 Milling width: 900 mm
 Milling depth: 0 - 280 mm
 Tool spacing: 15 mm



Milling drum assembly FB1500 with Multiple Cutting System **MCS BASIC**.

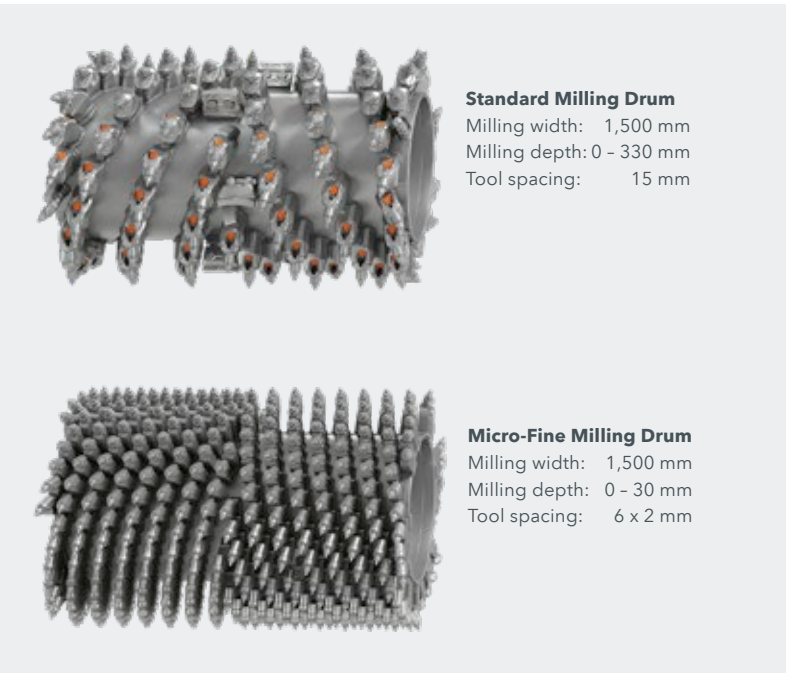


Milling drum assembly FB1800 with Multiple Cutting System **MCS BASIC**.



ECO Cutter
 Milling width: 1,500 mm
 Milling depth: 0 - 330 mm
 Tool spacing: 25 mm

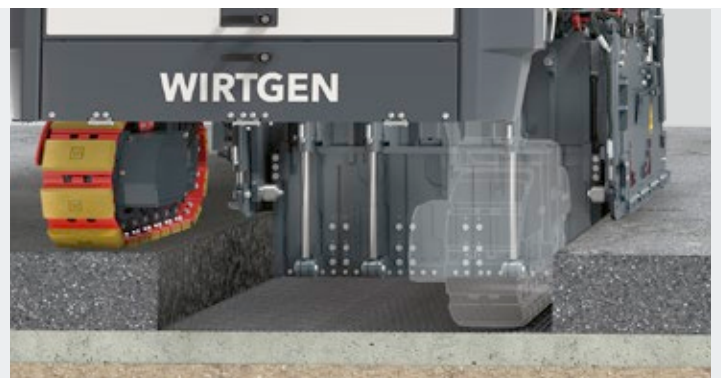
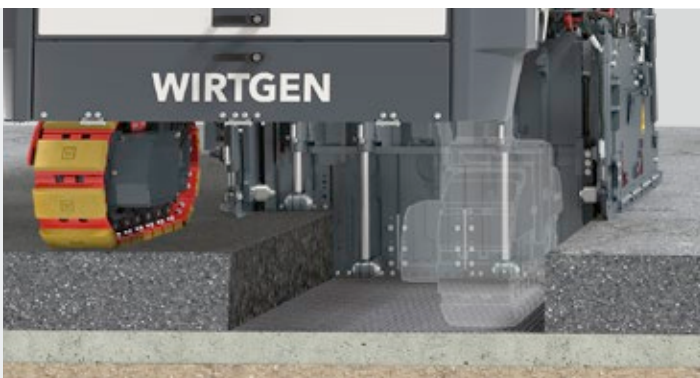
Fine Milling Drum
 Milling width: 1,500 mm
 Milling depth: 0 - 50 mm
 Tool spacing: 8 mm



Standard Milling Drum
 Milling width: 1,500 mm
 Milling depth: 0 - 330 mm
 Tool spacing: 15 mm

Micro-Fine Milling Drum
 Milling width: 1,500 mm
 Milling depth: 0 - 30 mm
 Tool spacing: 6 x 2 mm

Wide range of different **MCS BASIC** milling drums for milling drum assembly FB1500. (Milling drums for milling drum assembly FB1800 not shown here)



Standard Milling Drum
 Milling width: 1,200 mm
 Milling depth: 0 - 280 mm
 Tool spacing: 15 mm



Standard Milling Drum
 Milling width: 1,500 mm
 Milling depth: 0 - 330 mm
 Tool spacing: 15 mm

MAXIMUM LOADING CAPACITY



Unparalleled Precision
Two slewing speeds

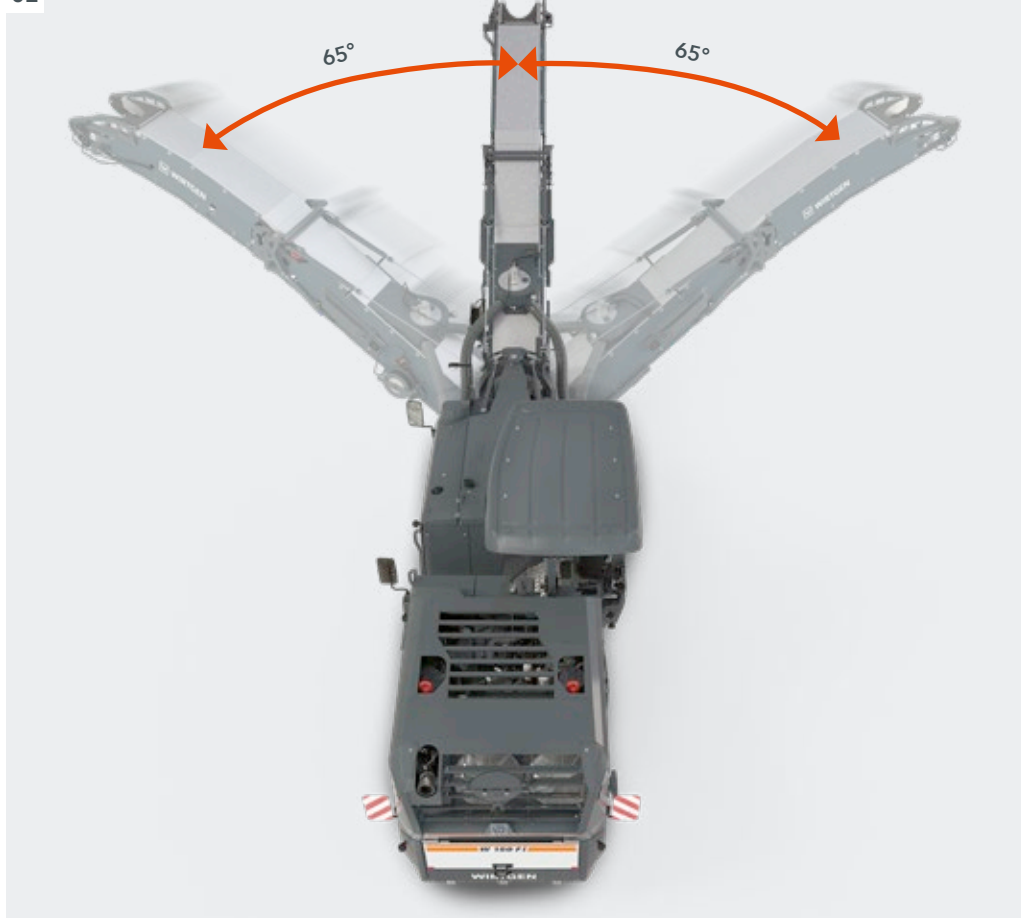
Fast Offloading of Milled Material
New booster function

01 High-performance loading of the milled material.

02 Discharge conveyor with extremely large slewing range.



02



Large Conveyor Slewing Angle of 65° to Each Side

Large conveyor slewing angles of 65° to each side make it possible to offload material even in difficult situations, e.g. in intersections or turning areas.

Higher Belt Cleat Profile for Increased Conveyor Capacity

The large belt width and a belt cleat profile with twice the height increase the loading capacity and thus the efficiency of the entire milling process.

Hydraulically Folding Conveyor for Compact Transport Dimensions

The hydraulically folding conveyor guarantees that the discharge conveyor can be folded away quickly to adapt to any situation on the construction site and to make the machine more compact for easy transportation.

“Booster” Function for Temporarily Increased Discharge Trajectory

Pressing the “Booster” button on the main control panel briefly increases the belt speed and conveying capacity of the discharge conveyor by 20% in order to temporarily transport the milled material particularly high or far when loading into a transport vehicle.

Two Conveyor Slewing Speeds

The discharge conveyor can be slewed slowly to ensure precise loading of the material, while slewing at high speed ensures that the discharge conveyor can be quickly brought into position.

PERFORMANCE MEETS EFFICIENCY

High-performance John Deere engine technology



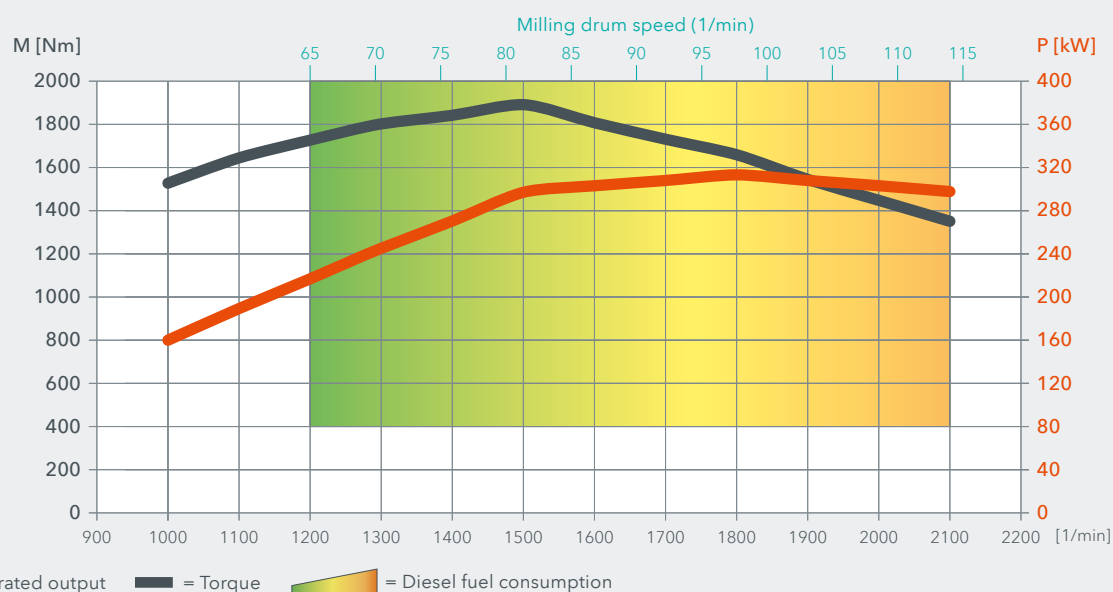
WIRTGEN
SUSTAINABILITY



All from a Single Source
John Deere brand engine technology

Perfect for Cold Milling Machines
Application-specific engine performance

Engine characteristics W 150 Fi (EU Stage 5 / US EPA Tier 4f)



When equipped with the MILL ASSIST milling application control system, the compact milling machine offers an extremely wide range of milling drum speeds that enable enormous reductions of diesel fuel consumption, CO₂ emissions, and pick wear.

State-Of-The-Art John Deere Engine with a Torque Curve Specially Optimized for Cold Milling Machines

The economical John Deere diesel engine complies with the stringent requirements of the EU Stage 5 / US EPA Tier 4f exhaust emission standards while offering an enormous engine rated output of 313 kW / 426 PS with high maximum torque. Truly impressive: It is worth noting that WIRTGEN and John Deere worked hand-in-hand on the optimization of the torque characteristics of the engine to make it ideal for cold milling machines. All-in-all, this translates into reduced fuel consumption and fast, productive operations, even at the maximum milling depth.

Extended Range of Milling Drum Speeds for a Broad Spectrum of Cost-Efficient Milling Applications

Thanks to the combination of the intelligent engine control unit and MILL ASSIST, the compact milling machine offers an extremely wide range of usable milling drum speeds. The new lower engine speed range in particular enables significant fuel

savings and tremendous milling performance for a wide range of applications.

Rugged Electrics Concept with Can Bus Reserve Circuits

If the need arises, the CAN bus can be flexibly reconnected to the reserve circuits. The main control elements are equipped with two-channel signal transmission to ensure that functions remain operable if one channel fails. Information about a signal failure is also displayed to the operator.

WIRTGEN > GOOD TO KNOW

All of the cutting-edge features of the W 150 Fi listed here contribute to significantly increased sustainability.

FAST AND AGILE MANEUVERING

ISC - Intelligent Speed Control for Minimal Track Slip

The intelligent track unit control system, ISC (Intelligent Speed Control), ensures consistently ideal traction. The electronic traction control system helps to prevent slipping of individual track units, even under difficult conditions. In addition, ISC

controls the machine advance rate within the optimum engine torque and speed envelope and electronically adjusts the speed of the inner and outer track units in relation to each other in curves. This minimizes track pad wear.

01

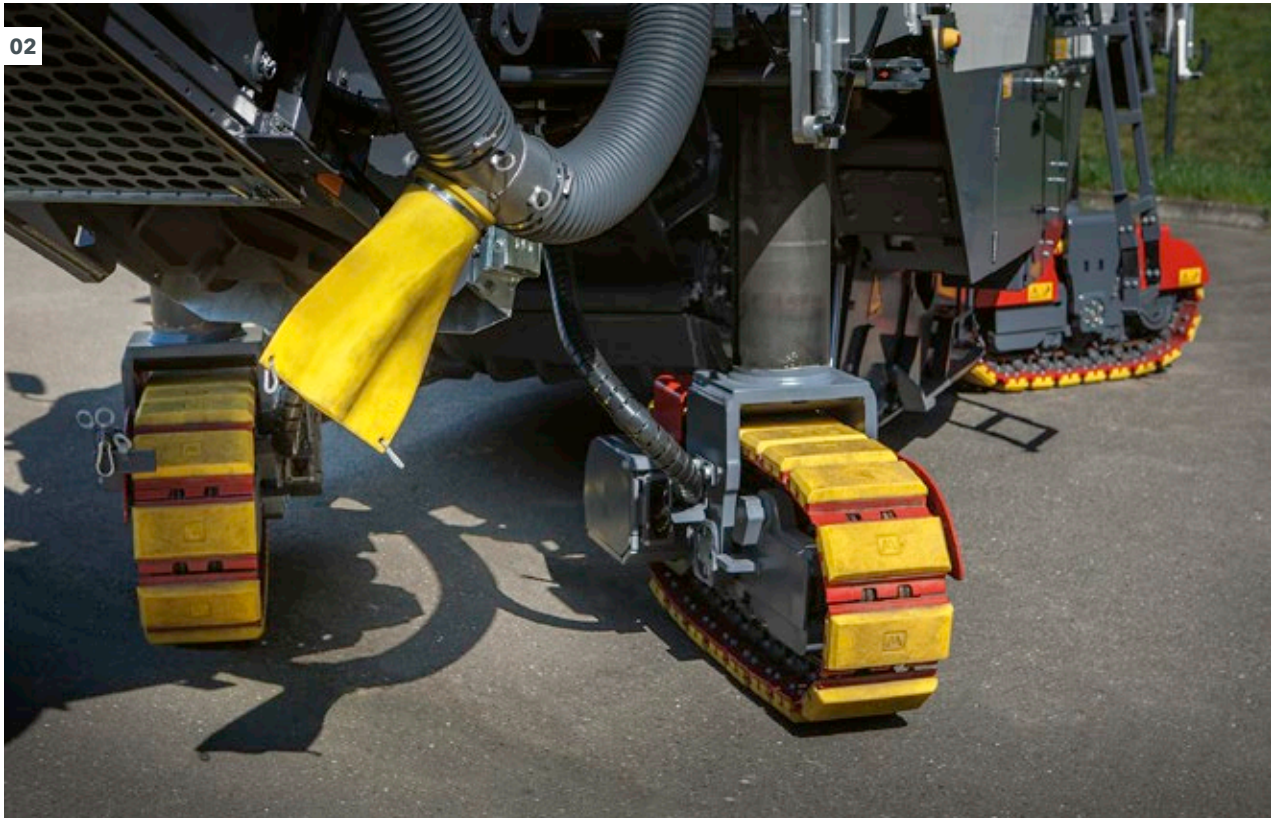


Constant Traction
Intelligent travel drive

High Travel Speed
Fast relocation to the next job

01 The compact milling machine impresses with minimal milling radii.

02 The large steering lock angles on all four track units ensure ideal maneuverability.



Fast Maneuvering at Travel Speeds of up to 7.5 km/h

The maximum travel speed of 7.5 km/h ensures particularly fast completion of construction projects.

Large Steering Lock Angle on all Four Track Units for Minimal Turning Radii

The large steering lock angles to the left and right guarantee minimal turning radii and, in turn, rapid maneuvering, even in tight spaces.

Fast Machine Height Adjustment

The new machine height adjustment system not only functions with extreme precision to assure high-quality milling results, but also enables fast lifting movements for rapid lowering and raising of the machine into and out of the cut.

Easily Mountable 900 kg Ballast Weight

If required, the low net weight of the compact milling machine can be increased by an easily mountable 900 kg ballast weight that can be fitted at the rear of the machine to achieve a higher operating weight and ideal traction and removed again for easier transportation of the machine.

BUILT FOR AN ENVIRONMENTALLY FRIENDLY FUTURE

Dynamic Engine Control Assistant for Low CO₂ Emissions

The minimization of CO₂ emissions is achieved by the interplay of MILL ASSIST, the efficient John Deere engine, and the wide range of milling drum speeds.

Three-Part Water Spray Bar with Demand-Dependent Injection for Minimal Water Consumption

Three separate water spray bar segments that can be activated electrically from the operator's platform allow the optimum amount of water to be added during the milling process, e.g. when milling only half the width of a lane. Automatically switching the water system on and off and reducing the amount of water used depending on the milling speed not only cuts water usage by up to 20%, but also reduces machine idle times during projects.

Fuel-Saving, Low-Noise Dual Fan Concept

Two intelligently positioned, speed-controlled fans cool the diesel engine and hydraulic system as required. The cooling system therefore efficiently contributes to significantly lower fuel consumption and noise emission levels.

Improved, Performance-Optimized VCS Extraction System

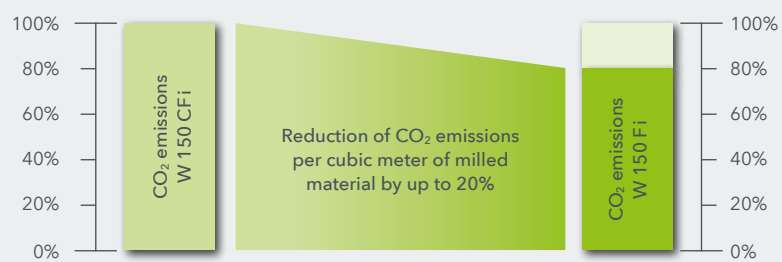
The well-sealed VCS extraction system ensures better air quality and vision in the machine operator's and ground crew's working environment. In addition, the easily accessible VCS suction channel reduces the effort otherwise required for cleaning.



WIRTGEN
SUSTAINABILITY

WIRTGEN > GOOD TO KNOW

Compared to its predecessor - the W 150 CFi from 2016 - the W 150 Fi produces up to 20% lower CO₂ emissions per cubic meter of milled material. Innovative WIRTGEN technologies such as **MILL ASSIST**, the dual fan cooling concept etc. all make a valuable contribution to this.



WIRTGEN W 150 CFi (2016)



WIRTGEN W 150 Fi (2023)

As a HOVO-ready machine, the W 150 Fi offers potential for further reductions in CO₂ emissions when run on high-quality HVO biofuel.





The most powerful cold milling machine in the compact class is the ideal choice for working on medium-sized construction projects on sites with limited space, e.g. in city centers. The innovative **MILL ASSIST** machine control system assures sustainable and efficient machine operations with high productivity. The state-of-the-art **LEVEL PRO ACTIVE** leveling system, the intuitive operating concept, and further digital assistance systems enable efficient one-person machine operation and ensure precise milling results.



TECHNICAL SPECIFICATIONS W 150 Fi

Milling Drum	
Standard milling width	1,500 mm
Optional milling width	1,800 mm
Milling depth ¹⁾	0 to 330 mm
Cutting diameter	980 mm
Engine	
Manufacturer	John Deere Power Systems
Type	6090TD-S5-PSR
Cooling	Water
Number of cylinders	6
Rated power at 2,100 rpm	298 kW / 400 HP / 405 PS
Maximum power at 1,800 rpm	313 kW / 420 HP / 426 PS
Displacement	9.0 l
Fuel consumption at rated power at mix of job site operations	70 l/h 28 l/h
Sound power level in accordance with EN 500-2, engine operator's platform	≤ 104 dB(A) ≥ 90 dB(A)
Emissions standard	EU Stage 5 / US EPA Tier 4f
Electrical System	
Power supply	24 V
Tank Capacities	
Fuel tank	810 l
AdBlue® / DEF ²⁾	61 l
Hydraulic oil	120 l
Water	2,250 l
Driving Performance	
Max. milling speed	0 to 60 m/min (3.6 km/h)
Max. travel speed	0 to 125 m/min (7.5 km/h)
Crawler Units	
Track chains front / back (L x W x H)	1,360 x 260 x 584 mm
Loading of Milled Material	
Belt width of primary conveyor	650 mm
Belt width of discharge conveyor	600 mm
Theoretical capacity of discharge conveyor	233 m ³ /h

TECHNICAL SPECIFICATIONS W 150 Fi

Weight of Basic Machine

Empty weight of machine without fluids	19,700 kg
Operating weight, CE ³⁾	21,300 kg
Maximum operating weight (full tanks, full range of equipment)	26,250 kg

Weight of Tank Contents

Water	2,250 kg
Fuel (0.83 kg/l)	672 kg
AdBlue® / DEF ²⁾ (1.1 kg/l)	67 kg

Additional Weight

Operator and Tools

> Machine operator	75 kg
> 5 pick containers	125 kg
> Vehicle tool kit	30 kg

Optional Milling Drum Units Instead of Standard

> Quick-change milling drum unit FB1500 MCS BASIC	300 kg
> Quick-change milling drum unit FB1500 MCS VARIABLE	260 kg
> Quick-change milling drum unit FB1800 MCS BASIC	625 kg
> Quick-change milling drum unit FB1200 MCS VARIABLE	65 kg

Optional Milling Drums Instead of Standard

> Milling drum FB1500 HT22 PLUS LA18 with 118 picks	-80 kg
--	--------

Optional MCS Milling Drums Instead of Standard

> Milling drum MCS BASIC FB1500 HT22 PLUS LA15 with 136 picks	80 kg
> Milling drum MCS BASIC FB1500 HT22 PLUS LA18 with 118 picks	-5 kg
> Milling drum MCS BASIC FB1500 HT22 PLUS LA25 with 104 picks	-206 kg
> Milling drum MCS BASIC FB1500 HT22 PLUS LA8 with 210 picks	346 kg
> Milling drum MCS BASIC FB1500 HT5 LA6X2 with 512 picks	547 kg
> Milling drum MCS BASIC FB1800 HT22 PLUS LA18 with 135 picks	230 kg

Optional Additional Equipment

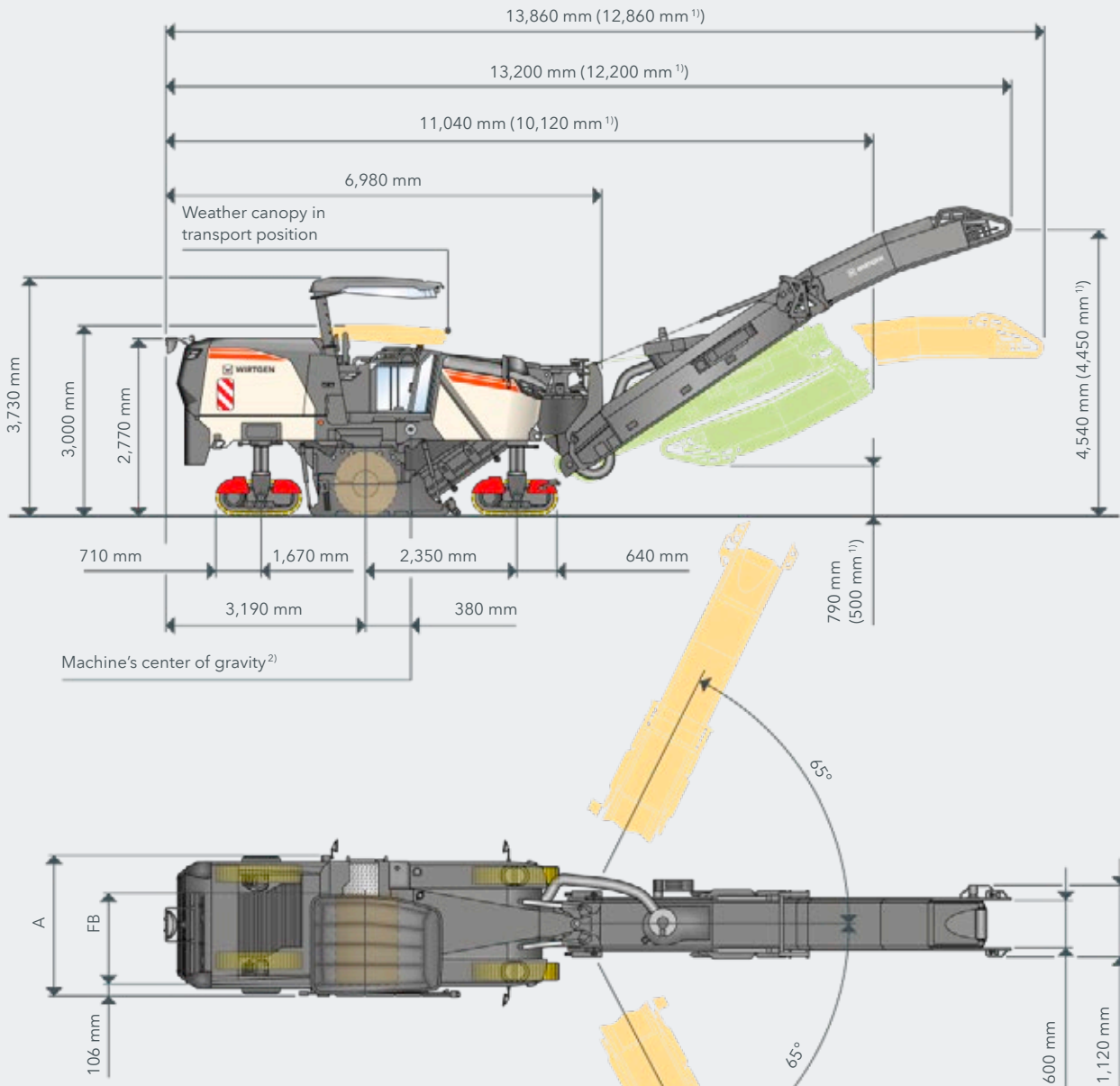
> Cabin instead of premium operator's platform	300 kg
> Hydraulically lowerable weather canopy instead of standard	255 kg
> VCS extraction system	75 kg
> Additional weight	900 kg

¹⁾ The maximum milling depth may deviate from the value indicated due to tolerances and wear.

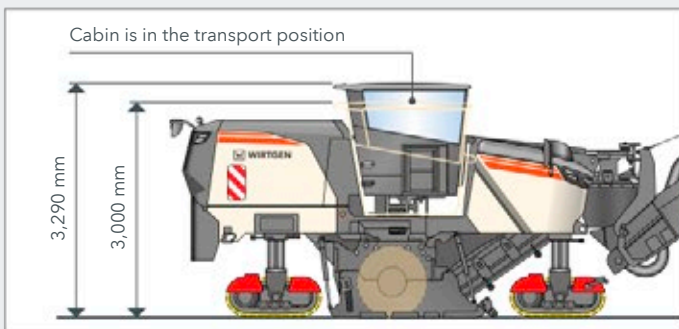
²⁾ AdBlue® is a registered trademark of the German Association of the Automotive Industry (VDA).

³⁾ Machine weight, half-full tanks, vehicle tool kits, machine operator, excluding optional equipment

SIDE VIEW / TOP VIEW W 150 F i



W 150 F i with operator's cabin

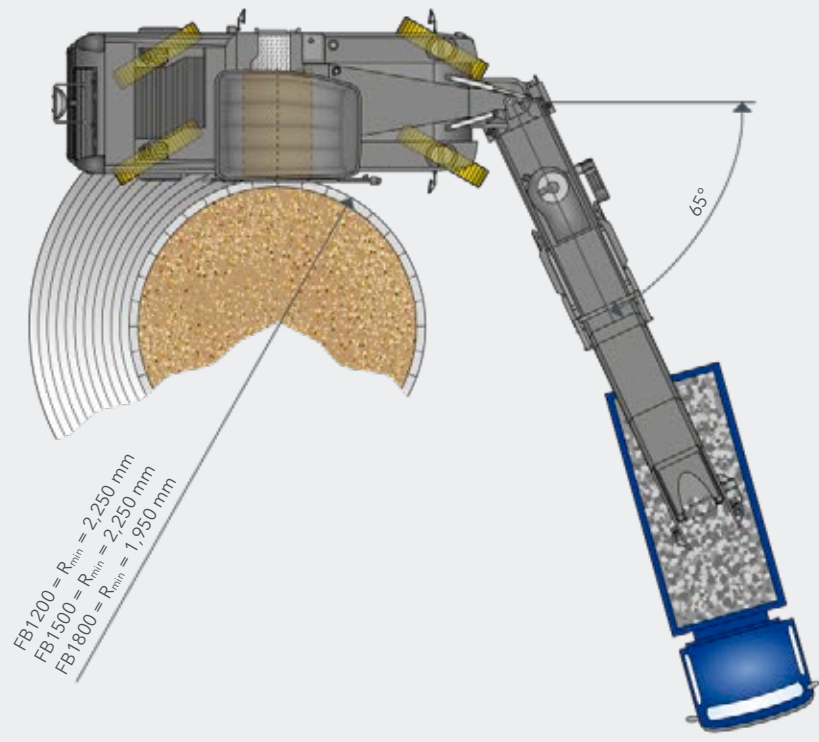
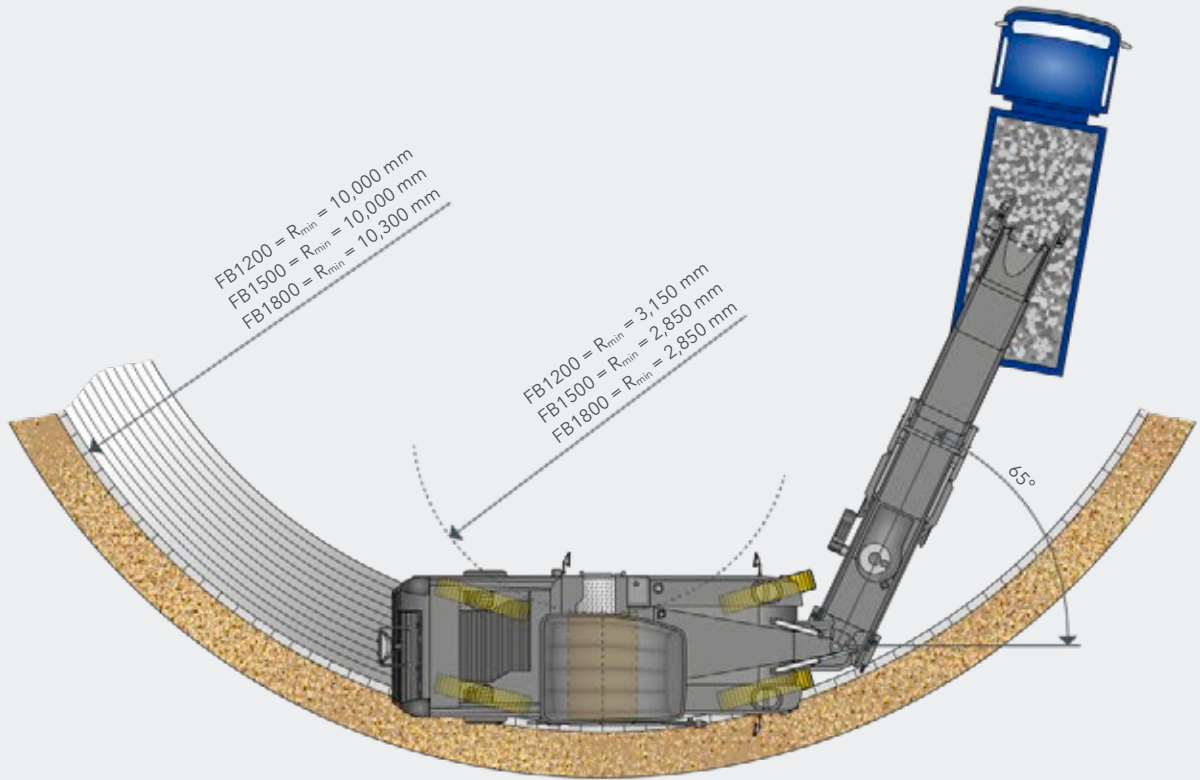


	FB	A
Standard FB1500	1,500 mm	2,250 mm
Option FB1800	1,800 mm	2,550 mm

¹⁾ Short folding discharge conveyor

²⁾ Based on operating weight, CE with conveyor folded out

MILLING RADIUS W 150 F i AT MILLING DEPTH OF 150 MM



STANDARD EQUIPMENT W 150 Fi

Basic Machine

- | | |
|---|---|
| > Base machine with engine including exhaust gas aftertreatment according to EU Stage 5 consisting out of a diesel oxidation catalyst (DOC) and a diesel particulate filter (DPF) | ■ |
| > Machine chassis with wasp waist on the right side (zero edge) | ■ |
| > Electrohydraulically opening engine cowling | ■ |
| > Radiator with temperature-dependent fan speed | ■ |
| > Additional control switch for scraper blade, bottom right | ■ |
| > Elastically mounted engine station with low vibration and low noise | ■ |
| > Automatic engine speed adjustment depending on machine load | ■ |
| > Air compressor system | ■ |

Milling Drum Unit

- | | |
|---|---|
| > The right-hand side of the milling drum housing can be easily opened for maintenance or drum change | ■ |
| > Hydraulic material depressor with conveyor lifting function | ■ |
| > Hydraulically opening scraper plate with convenience locking | ■ |
| > Exchangeable wearing segments on the side plate | ■ |
| > Milling drum housing FB1500 | □ |
| > Water spray bar for FB1500 | □ |

Milling Drums

- | | |
|---|---|
| > Milling drum FB1500 HT22 PLUS LA15 with 136 picks | □ |
|---|---|

Loading of the Milled Material

- | | |
|--|---|
| > Discharge conveyor slewing angle left 65 degrees - right 65 degrees | ■ |
| > Hydraulically foldable discharge conveyor with two swing speeds, including adjustable conveyor speed for precise loading | ■ |
| > Machine with hydraulic pre-fitting for a discharge conveyor - screw coupling | □ |
| > Discharge conveyor, 8,150 mm long, 600 mm wide, with hydraulic folding device | □ |

Machine Control and Leveling System

- | | |
|--|---|
| > User-friendly control panel including 7" color screen | ■ |
| > LEVEL PRO ACTIVE leveling system with numerous automated and complementary operator relieving features | ■ |
| > LEVEL PRO ACTIVE - automatic height control in transport mode | ■ |
| > LEVEL PRO ACTIVE - ramp milling and auto-start feature for the second milling cut | ■ |
| > RAPID SLOPE cross-slope sensor for LEVEL PRO ACTIVE leveling system | ■ |
| > MILL ASSIST assistance system for automatic adjustment of the milling drum speed in accordance with the main area of application and the parameters selected in terms of engine load, advance rate, milling volume and quality of the milling pattern | ■ |
| > Automatic start-stop feature of the milling drum to reduce diesel consumption | ■ |
| > Comprehensive machine diagnostics on the control panel including, for example, a diagnostic system for the CAN bus | ■ |
| > Voltmeter integrated into the control panel for voltage measurement in the event of a malfunction | ■ |

STANDARD EQUIPMENT W 150 Fi

Operator's Platform

> Convenient control panel with practical switches	■
> Multifunctional armrest including color operating display for one-handed operation of most machine functions	■
> Digital multi-function display for all important operating conditions	■
> Scraper height indicator on control panel	■
> Operating panel nighttime lighting	■
> Robust anti-vandalism protection for the controls	■
> Adjustable steering wheel position	■
> Optimally positionable operator's seat	■
> Footstep left with conveniently folding ladder	■
> Two mirrors front, one mirror middle and one mirror in rear area of the machine	■
> Premium operator's platform, hydraulically moveable	□

Track Unit and Height Adjustment

> Fourfold full-floating axle for high machine stability	■
> PTS - automatic alignment of the machine parallel to the pavement surface	■
> ISC - intelligent track speed control including hydraulic four-track drive	■
> Reversing with the milling drum rotating. Simple and fast maneuvering	■
> Equipped with extremely wear-resistant 2-piece polyurethane track pads	■

Miscellaneous

> Large tool package	■
> Generously sized water and diesel tanks	■
> Total of 4 EMERGENCY STOP switches at sensible positions on the machine	■
> "Welcome-and-Go-Home-Light" feature including LED lighting in the area of the operator's platform and access	■
> Pre-fitting for installing the John Deere Operations Center control unit	■
> European type certification, EuroTest mark and CE conformity	■
> Standard film coating in RAL 9001 (cream)	□
> John Deere Operations Center: Digital solutions for optimizing processes, machines, and services	□
> Standard LED lighting package with 17,700 lumen	□
> Standard electro-hydraulic unit	□

■ = Standard equipment

□ = Standard equipment, can be replaced with optional equipment if desired

□ = Optional equipment

OPTIONAL EQUIPMENT W 150 Fi

Milling Drum Unit

> Quick-change milling drum unit FB1500 MCS BASIC	<input type="checkbox"/>
> Quick-change milling drum unit FB1500 MCS VARIABLE	<input type="checkbox"/>
> Quick-change milling drum unit FB1800 MCS BASIC	<input type="checkbox"/>
> Quick-change milling drum unit FB1200 MCS VARIABLE	<input type="checkbox"/>
> Sectional, electrically switchable water spray bar for FB1500	<input type="checkbox"/>
> Water spray bar for FB1200	<input type="checkbox"/>
> Sectional, electrically switchable water spray bar for FB1200	<input type="checkbox"/>
> Water spray bar for FB1800	<input type="checkbox"/>
> Sectional, electrically switchable water spray bar for FB1800	<input type="checkbox"/>
> Overload sensor on the scraper	<input type="checkbox"/>
> Active floating position for the side plates, left and right	<input type="checkbox"/>
> Wear protection rollers for side plates, left or right	<input type="checkbox"/>

Milling Drums

> Milling drum FB1500 HT22 PLUS LA18 with 118 picks	<input type="checkbox"/>
> Milling drum MCS BASIC FB1200 HT22 PLUS LA15 with 109 picks	<input type="checkbox"/>
> Milling drum MCS BASIC FB1200 HT22 PLUS LA18 with 100 picks	<input type="checkbox"/>
> Milling drum MCS BASIC FB1200 HT22 PLUS LA8 with 174 picks	<input type="checkbox"/>
> Milling drum MCS BASIC FB1200 HT5 LA6X2 with 410 picks	<input type="checkbox"/>
> Milling drum MCS BASIC FB1200 HT22 PLUS LA25 with 91 picks	<input type="checkbox"/>
> Milling drum MCS BASIC FB1500 HT22 PLUS LA15 with 136 picks	<input type="checkbox"/>
> Milling drum MCS BASIC FB1500 HT22 PLUS LA18 with 118 picks	<input type="checkbox"/>
> Milling drum MCS BASIC FB1500 HT22 PLUS LA8 with 210 picks	<input type="checkbox"/>
> Milling drum MCS BASIC FB1500 HT5 LA6X2 with 512 picks	<input type="checkbox"/>
> Milling drum MCS BASIC FB1500 HT22 PLUS LA25 with 104 picks	<input type="checkbox"/>
> Milling drum MCS BASIC FB1800 HT22 PLUS LA18 with 135 picks	<input type="checkbox"/>
> Milling drum MCS BASIC FB1800 HT22 PLUS LA8 with 247 picks	<input type="checkbox"/>
> Milling drum MCS BASIC FB1800 HT5 LA6X2 with 410 picks	<input type="checkbox"/>
> Milling drum MCS BASIC FB1800 HT22 PLUS LA25 with 116 picks	<input type="checkbox"/>
> MCS milling unit FB600 HT22 PLUS LA12 with 79 picks for FB1500	<input type="checkbox"/>
> MCS milling unit FB900 HT22 PLUS LA15 with 109 picks for FB1500	<input type="checkbox"/>
> MCS milling unit FB1200 HT22 PLUS LA15 with 109 picks for FB1500	<input type="checkbox"/>
> MCS milling unit FB600 HT22 PLUS LA12 with 79 picks for FB1200	<input type="checkbox"/>
> MCS milling unit FB900 HT22 PLUS LA15 with 102 picks for FB1200	<input type="checkbox"/>

Loading of the Milled Material

> Machine with hydraulic pre-fitting for a discharge conveyor - quick-change coupling	<input type="checkbox"/>
> Shortened discharge conveyor, 6,500 mm long, 600 mm wide, with hydraulic folding device	<input type="checkbox"/>
> Signal lights for visual "stop" and "go" instructions for the truck driver	<input type="checkbox"/>
> VCS extraction system	<input type="checkbox"/>
> ACTIVE CONVEYOR swing angle control for discharge conveyor	<input type="checkbox"/>

OPTIONAL EQUIPMENT W 150 Fi

Machine Control and Leveling System

> One leveling boom including sensor for LEVEL PRO ACTIVE leveling system	<input type="checkbox"/>
> Two leveling booms including sensor for LEVEL PRO ACTIVE leveling system	<input type="checkbox"/>
> Scanning in front of the milling drum unit	<input type="checkbox"/>
> 5" control panel for controlling the leveling system	<input type="checkbox"/>
> 7" control panel for displaying the machine control system and for controlling the leveling system	<input type="checkbox"/>
> Multiplex pre-fitting comprising 4 sensor sockets and holder	<input type="checkbox"/>
> Extension of LEVEL PRO ACTIVE with two ultrasonic sensors for multiplex scanning	<input type="checkbox"/>
> Extension of LEVEL PRO ACTIVE with four ultrasonic sensors for multiplex scanning	<input type="checkbox"/>
> Level control 3D leveling pre-equipment	<input type="checkbox"/>
> Extension of LEVEL PRO ACTIVE with a linear laser sensor	<input type="checkbox"/>

Operator's Platform

> Operator's platform with air-conditioned comfort cabin	<input type="checkbox"/>
> Operator's platform equipped with weather protection elements on the sides	<input type="checkbox"/>
> Operator's platform with weather canopy and lateral weather protection elements	<input type="checkbox"/>
> Heating operator's platform	<input type="checkbox"/>
> Additional control unit for operating the machine from the ground, left	<input type="checkbox"/>

Miscellaneous

> Film coating according to the customer's wishes	<input type="checkbox"/>
> WIRTGEN PERFORMANCE TRACKER - Precise measurement of milling performance	<input type="checkbox"/>
> Extended LED lighting package with 33,600 lumen	<input type="checkbox"/>
> Premium electro-hydraulic unit	<input type="checkbox"/>
> Large storage compartment at the rear of the machine	<input type="checkbox"/>
> Additional weight 900 kg	<input type="checkbox"/>
> Additional storage surface for tool container	<input type="checkbox"/>
> Milling drum assembly trolley to FB1500	<input type="checkbox"/>
> Electrical fuel system preheating	<input type="checkbox"/>
> Powerful high-pressure water cleaner, 150 bar, 15 l/min	<input type="checkbox"/>
> Milling drum rotation device	<input type="checkbox"/>
> Pneumatic hammer with pick extractor / inserter	<input type="checkbox"/>
> Hydraulically driven pick extractor drift	<input type="checkbox"/>
> Diesel tank filling pump with 5.00 m suction hose	<input type="checkbox"/>
> User-specific storage of machine settings via SMART KEY key fob	<input type="checkbox"/>
> MILL ASSIST assistance system	<input type="checkbox"/>
> Milling depth measurement and display in the LEVEL PRO ACTIVE display	<input type="checkbox"/>
> 2-fold camera system	<input type="checkbox"/>
> 6-fold camera system with 10" control panel	<input type="checkbox"/>
> Monitor system for option of operator's cabin with 7 cameras and 10" control panel	<input type="checkbox"/>
> Manually-adjustable external mirror plus an electrically-adjustable front left external mirror	<input type="checkbox"/>
> Licence plate holder with LED lighting	<input type="checkbox"/>

■ = Standard equipment

▣ = Standard equipment, can be replaced with optional equipment if desired

□ = Optional equipment





**WIRTGEN GmbH**

Reinhard-Wirtgen-Str. 2
53578 Windhagen
Germany

T: +49-2645-131-0
F: +49-2645-131-392
M: info@wirtgen.com

 www.wirtgen.de



Please scan the code for further information.