



Innovation on eight wheels

# HP SERIES

HP 180(i) - HP 280(i)



# POWERFUL IN ASPHALT CONSTRUCTION AND EARTHWORKS

High productivity, solid workmanship and maximum flexibility

Founded in 1878, HAMM has focused on the manufacture of rollers for road building since the beginning of the 20th century. From that time on, HAMM has been the driving force and trendsetter in the industry. Many technologies and solutions that have become the standard in the compaction sector were developed by HAMM.

With their large tanks and robust engineering, the HP series rollers are exceptionally productive. They get the job done reliably and safely, on large and small construction sites. The range of potential applications extends from soil stabilization, cold recycling and landscape gardening, right through to final compaction and surface sealing in asphalt construction.

The tire pressure, machine weight, additive mixing and quantity as well as the top speed can each be very easily adjusted to suit the application. Diverse options are also available for equipping the operator's platform to suit all climatic zones.



## HAMM PRODUCT RANGE

### ARTICULATED TANDEM ROLLERS

- > Drum width: 31.5 - 84.3 in
- > Operating weight: 1.5 - 14 t

### PIVOT-STEERED TANDEM ROLLERS

- > Drum width: 59.1 - 66.1 in
- > Operating weight: 7 - 9 t

### SOIL COMPACTORS

- > Drum width: 53.9 - 84.3 in
- > Operating weight: 5 - 26 t

### PNEUMATIC-TIRE ROLLERS

- > Width over tires: 44.4 - 72 in
- > Operating weight: 4 - 27 t

# OVERVIEW OF THE HIGHLIGHTS

Perfectly equipped

## 01 Operation and comfort

- > Language-neutral, simple operation
- > Ergonomically optimal working conditions
- > Great freedom of movement for all drivers
- > Safe, intuitive operation thanks to clear, language-neutral operating elements



- > Sustainable machine concept
- > Outstanding design
- > HAMMTRONIC intelligent control system
- > Easy Drive operating concept

## 02 Visibility

- > Outstanding overview of the machine and the construction site environment from any seating position
- > Great illumination in the dark

## 03 Compaction

- > Homogeneous compaction
- > Even distribution of the weight on the ground

## 04 Ballasting concept

- > Variable ballasting
- > Prefabricated ballast bodies or own ballasting possible

## 05 Safety

- > Extremely powerful brake system
- > Finely dosing brake power

## 06 Maintenance and service

- > Extremely simple and fast maintenance
- > Convenient access to the maintenance platform on the engine



**HAMM**  
SUSTAINABILITY

HAMM SUSTAINABILITY describes innovative technologies and solutions which are consistent with the sustainability objectives of the WIRTGEN GROUP.

# COMFORTABLE WORKPLACE

Ideal conditions for healthy, focussed work

## Panoramic cabin

all-round glazing, lots of space inside

## Clear windows and fresh air

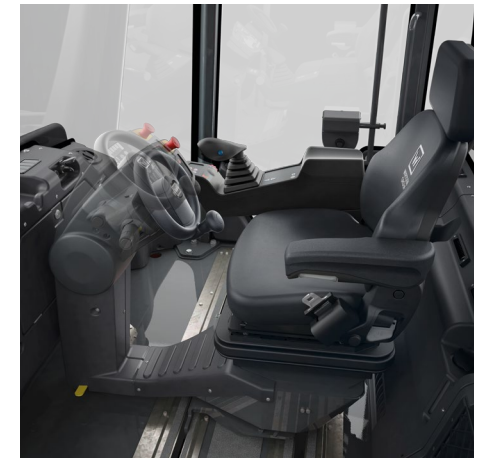
thanks to intelligently arranged spray nozzles

## Dashboard

always in the driver's field of vision

## Spring-mounted seat

adjustable sideways, can be rotated as an option



The tilt of the dashboard and steering wheel can be individually adjusted.

### Get in and be comfortable

On both sides, wide access with large steps leads you safely to the operator's platform or cabin. The heart of the workplace is the comfortable seat with lots of legroom in combination with an adjustable steering column. This equipment offers great freedom of movement and a high degree of flexibility.

The suspension of the driver's seat and the armrests can be individually adjusted, as well as the tilt angle of the dashboard with steering wheel. This means that every driver quickly finds a comfortable, ergonomically favorable and healthy working position.

Many convenient details round out the workstation: 12 V sockets, cup-holders, ample storage space, numerous fresh air nozzles, as well as integrated sun protection are part of the standard specification.

For the open version with ROPS, a protective tarpaulin or a plastic protective roof is available. The panoramic cabin with ROPS offers lots of headroom and is available with split doors as an option.

# SIMPLE AND LOGICAL

Safe operation - even without language knowledge

## Intuitive operation

The simple operation and a clearly designed operator's platform are one of the hallmarks of HAMM rollers. In the pneumatic-tire rollers in the HP series, the frequently required operating and display elements are positioned on the dashboard so that they are always in the driver's field of vision. The few switches are also arranged logically in the operator's platform with a clear structure. Moreover, all displays are language-neutral, making operation of the rollers very simple and easy to master.

All HAMM pneumatic-tire rollers in the HP series are operated like a modern tandem roller. There is only one driver's seat and one steering wheel. The type of drive control depends on the model.



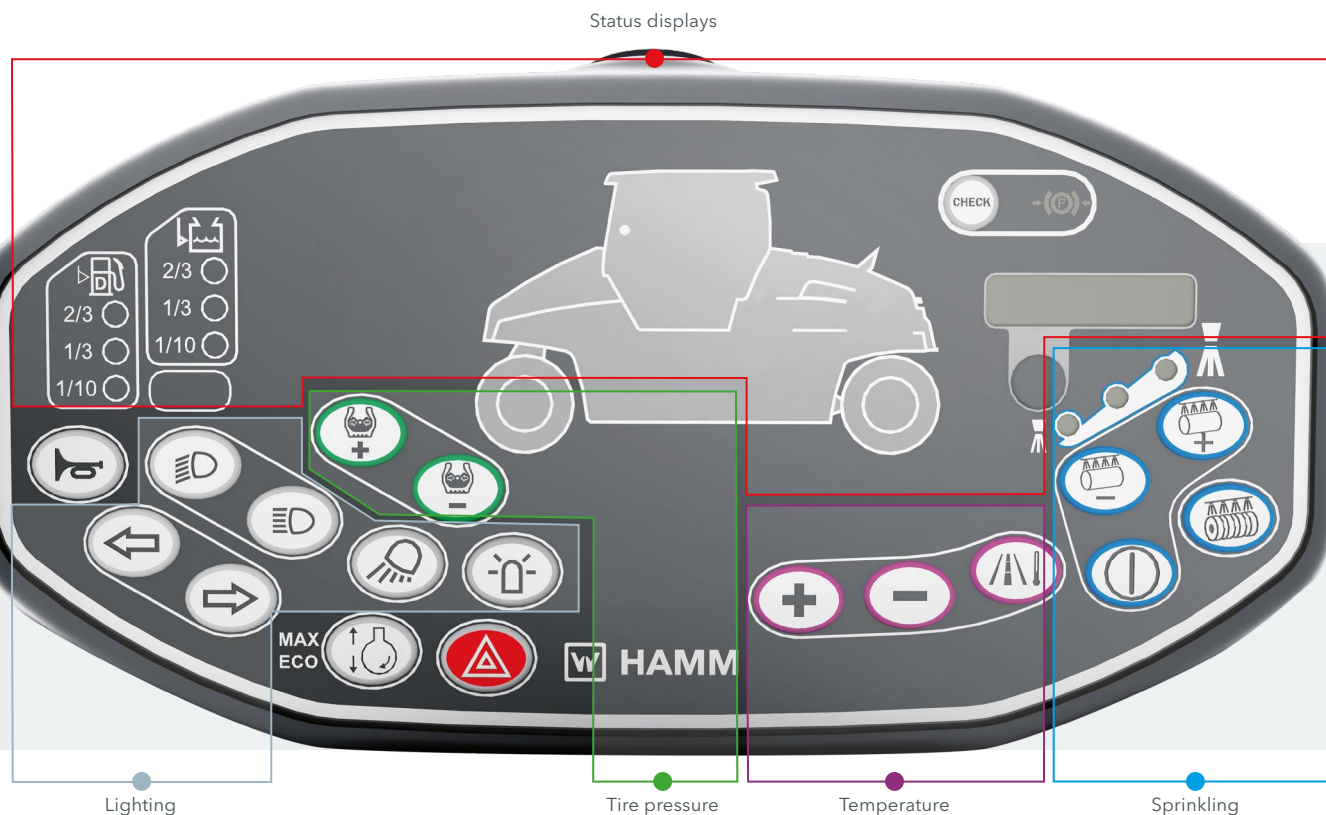
In the rollers with Tier 3 engines, the drive is controlled via a joystick on the right-hand armrest.

On the multifunction armrest with joystick, the most important functions are operated using clearly visible buttons with a perfect ergonomic arrangement.

## Easy Drive: Follow your intuition

In all rollers with engines in accordance with EPA Tier 4/EU Stage V, the innovative Easy Drive operating concept guarantees particularly simple operation. In the tandem rollers, compactors and pneumatic-tire rollers from HAMM, the operating elements for the same functions are located in the same position in the operator's platform. It is therefore no problem to switch between different roller types.

Accordingly, for the models with Easy Drive, the drive is controlled via a joystick on a multifunction armrest. It can be folded as required for entering and exiting.



Dashboard on the Tier 3 machines



Dashboard on machines with Easy Drive (EPA Tier 4/EU Stage V)

# EVERYTHING IN VIEW

Roller and construction site under control



Thanks to the compact machine dimensions, visibility for all areas directly in front of and behind the roller is outstanding.

## Compact design - good visibility

With their modern, well-conceived design, a spacious panoramic cabin or the spacious operator's platform, and many creative refinements, the HP series pneumatic-tire rollers provide the best possible overview and maximum user-friendliness. Whether from the cabin or from the open operator's platform with ROPS - the operator has an excellent overview of the machine and construction site at all times.

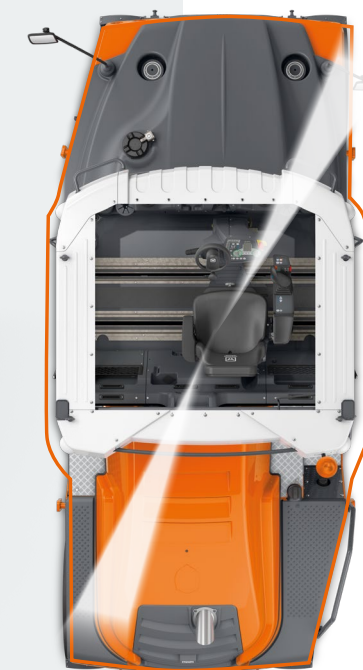
## Asymmetric frame

A special feature of the HP series is the asymmetric frame. It is a hallmark and quality benefit in one, because the design in symmetry with the wheelsets provides a clear view of the outer edges of the front and rear wheels - in addition to the excellent overview of the construction site.

For the best possible view to the sides and of the area behind the roller, the seat operating unit can be rotated by 90° in both directions, locked, and moved up to the outer edge of the platform. This means that there is a perfect view of the edges of the outer wheels.

## Can also be used in the dark

The pneumatic-tire rollers are optimally equipped for working in tunnels or in the dark. The surroundings are well-lit thanks to bright LED light sources in the work lights. With the tire lighting (option), the outer flanks of the wheels are also easy to see in the dark, meaning that work can always be carried out precisely. As with the optionally available lateral periphery lighting, it is also equipped with LED lights.



If the driver sits on the right or left of the platform and looks past the engine hood or water tank, they always have an overview of the edges of the outer wheels.

# SATISFIES THE MOST EXACTING REQUIREMENTS

Intelligent solutions in a compact design

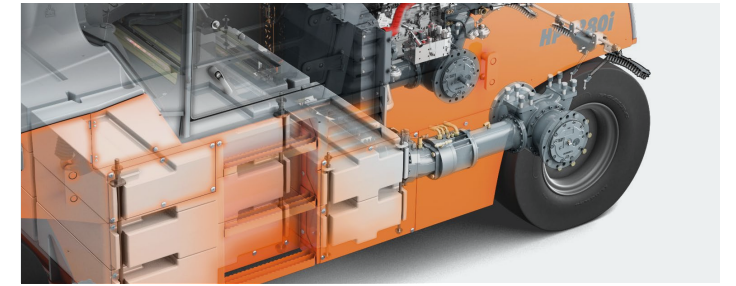


The pneumatic-tire rollers are equipped with large water tanks, meaning that sufficient capacity is available for a working day.

## Efficient water sprinkling

The efficient water-sprinkling system guarantees quality since it prevents asphalt from adhering. When paving asphalts that are particularly difficult to compact or in difficult paving conditions, additives are mixed into the water.

A large additive tank with fill level monitoring is available for this as an option. The additive concentrate is mixed with water at the touch of a button only when compacting. This does not result in any risk of decomposition. The dosing can be regulated in various addition levels. Switching between sprinkling with water and a water-additive mixture is possible at any time from the driver's seat.



Automatic speed ramping means that smooth braking and accelerating are child's play

## Powerful hydrostatic drive

The powerful, hydrostatic rear axle drive on the HP series can be set to a required speed in conjunction with the sensitive control system. A specified working speed can be conveniently set using a wheel on the control panel. This is important for homogeneous compaction.

Thanks to the intelligent drive control, the pneumatic-tire rollers in the HP series accelerate and brake gently and evenly. This promotes even compaction and results in higher compaction quality.

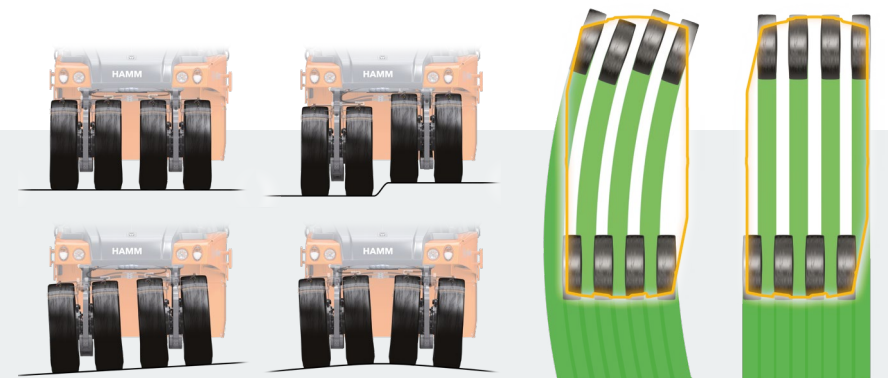
## Homogeneous compaction

To distribute the weight evenly on the ground, HAMM has developed special wheel suspensions in the front axle for the HP series. In doing so, the level compensation is established using the suspension for the front pairs of wheels.

The tire pressure and, as a result, the tire footprint can be varied in the range of 4-8 bar via the tire-inflation system (optional). The speedy adjustment of the tire pressure from the operator's platform - even while compacting.

The clever design of the front axle guarantees even load distribution on the ground.

The generous overlapping of the tire tracks contributes to complete and even compaction.



# INTELLIGENT BALLASTING

Well-conceived down to the last detail

## Utmost flexibility

With the intelligent ballasting concept from HAMM, the HP series can quickly be equipped with the perfectly adapted weight for any application. The conversion to different operating weights can take place in the user's workshop or even on the construction site.

At the heart of it are the large ballast chambers located between the wheelsets, and an open-bottom compartment frame with inserts. Loading and unloading can be carried out with minimal effort. Prefabricated steel, concrete or heavy concrete ballast bodies are inserted and removed through the open-bottom frame using a forklift truck, for example. HAMM offers a range of ballast body kits of various sizes for this purpose. This means that different weights can be achieved. Depending on the weight of the basic machine, this method can be used to ballast the entire weight by up to 17 t.

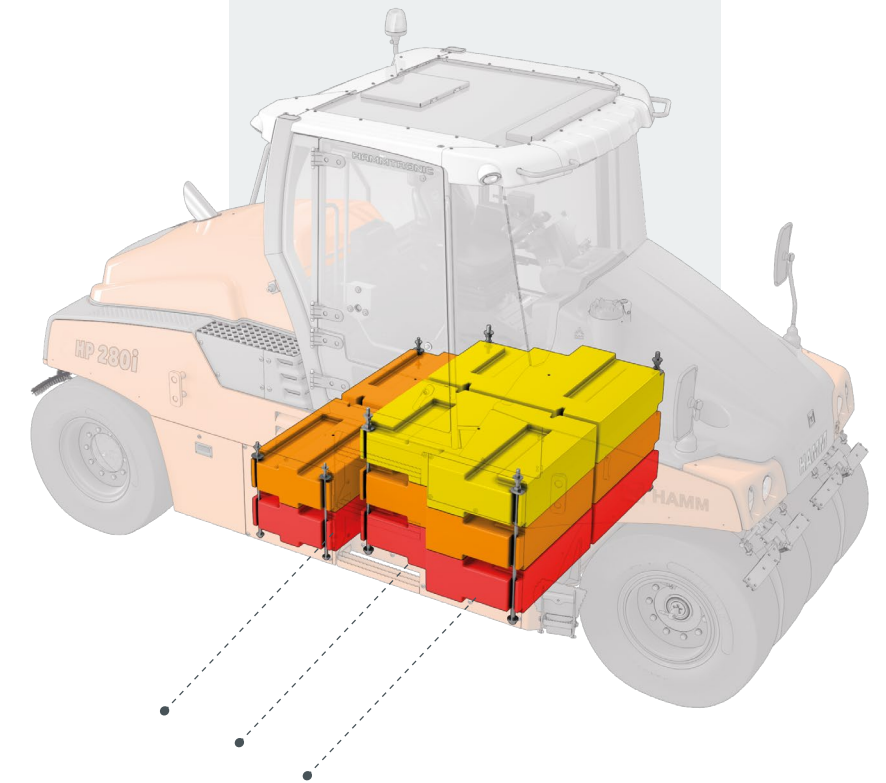
## Own ballasting and additional water tank

One of the models has a large ballast chamber (2 m<sup>3</sup>) for own ballasting. As an option, an additional water tank with a volume of 1500 l is also available for all HP series rollers. It can be used as a water reservoir and also for extra weight. The additional water tank is linked to the standard water tank via interconnecting pipework.

## Quality thanks to even weight distribution

Since the ballast chambers are located in the center of the machine, the weight is always evenly distributed over both axles – perfect conditions for optimum compaction quality. Here, the wheel loads vary between 1.25 and 3.5 t per wheel.

The HP's weight can be simply and flexibly adjusted using prefabricated ballast bodies.





# SAFELY TO THE DESTINATION

Well-conceived down to the last detail



## Safely to the destination

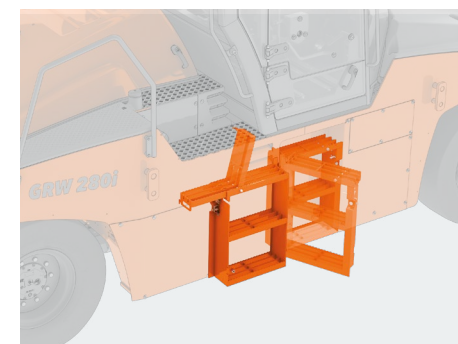
The compact design of the HP series, the shape of the engine hood and tank, as well as the high sitting position, provide a workstation with an unobstructed view - to the front and to the rear. People and objects can be spotted in plenty of time. At the same time, the roller completely meets the latest, stringent field of vision requirements.

## Impressive braking power

With their powerful disc brakes on the front axle, the rollers in the HP series can be rapidly and safely brought from full speed to a standstill, even when carrying the maximum ballast load. This means that deceleration values far beyond the specifications can be achieved. Thanks to outstanding visibility and powerful brakes, the pneumatic-tire rollers in the HP series are extremely safe.

## Modern operation - safe operation

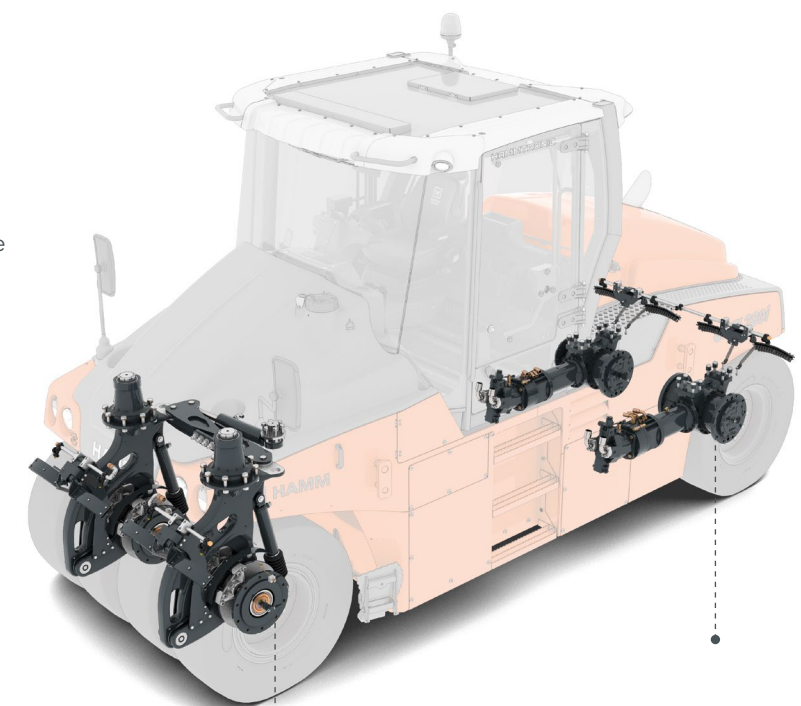
On the HP series, the brake pedal is firmly attached to the seat operating unit and can always be reached, regardless of the seat position. This means that the driver finds it in the same location from every work position, meaning that they can stop the roller immediately.



Simply fold down - in no time, the step to the operator's platform becomes the service step. Three large steps make accessing the engine and the maintenance platform extremely safe.

## Sensitive braking - high-quality compaction

Irrespective of this, the braking power of the pneumatic-tire rollers in the HP series can be controlled with extreme sensitivity. Thanks to the electronically supported drive control, soft braking and acceleration is possible - the optimal prerequisite for level asphalt surface courses with no bumps or hollows.



The disc brakes are part of the standard equipment for machines with a maximum weight of over 20 t. For all other machines, they are optional.

# EFFICIENT MAINTENANCE

Completed in just a few minutes

## User-friendly and simple

Easy servicing is a key characteristic of the HP series pneumatic-tire rollers. All maintenance work can be carried out on one side of the engine. Convenient access to the filler necks for the water and diesel tanks means that refuelling is quick and easy. As an option, a C-pipe connection is also available for fast filling the water tank

All manual operations can be safely performed even in the dark because the cabin/roof lamps provide good illumination of the engine compartment. To ensure fast and thorough servicing, HAMM uses the WIRTGEN GROUP's WIDIAG service diagnostics tool. The corresponding interface easy to access in the multifunction armrest.

## Reduced maintenance

The long maintenance intervals and the minimal maintenance points prove that the HP series involves sophisticated technology. This can also be seen in the great accessibility to the important points. In this case, the wide-opening engine hood facilitates the work of the service personnel.



A guard rail on the maintenance side of the engine ensures safety when carrying out routine checks.



## Design

Since the 1980s, HAMM has considered design to be a crucial element in product development. And this has proven to be a successful move, as illustrated by the fact that HAMM has, to date, won 40 international design and innovation awards, making it the front runner in the construction industry.



## Environmental protection at every stage

On the construction site, HAMM rollers are impressive thanks to their low fuel consumption. What's more, most models can not only be operated with diesel, but also with non-fossil fuels. HAMM AG's main plant is certified in accordance with ISO 14001, meaning that HAMM is constantly striving to reduce emissions and the use of resources even in the production of rollers.



## HAMMTRONIC

The HAMMTRONIC electronic machine management system monitors all engine and driving functions. It automatically adjusts the travel drive, the vibration or oscillation drive and the engine speed to the current operating conditions. This reduces fuel consumption as well as exhaust and noise emissions.



## Easy Drive

Intuitive operation is at the heart of the Easy Drive operating concept. It is easy to learn and employs the same operating logic in all Easy Drive rollers in which it is installed. In addition, the ergonomically optimised operator's platforms ensure the driver always adopts a healthy posture and seating position.

# OPTIONS FOR EVERY EVENTUALITY

Tailored for all applications and regions

**HAMM has thought of everything. Thanks to numerous additional options, the rollers can be precisely adapted to the requirements.**

### Edge pressing and cutting device

Clearly visible. For precise delineation of the paths. With track indicator. Pressing rolls and cutting wheels in many sizes and diameters.

### Tire heating

Diesel-driven, safe tire heating, can be switched on and off from the operator's platform.

### Thermal apron

Protect tires against cooling down and accelerate their heating. Easy mounting.

### Anti-slip control (ASC)

Guarantees optimal traction on uneven terrain, as well as on surfaces with varying temperatures.

### Folding roof

For easy transport (not available for all countries).

### Additional water tank

Additional 1500 l useful volume. Can be used as a water reservoir and as additional weight. With standard filler neck, C-pipe connection for fast filling, and water extraction point.

### Process data interface

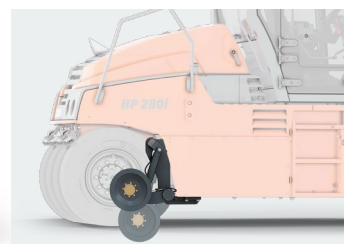
For easy export of the process data (continuous compaction control) in common documentation systems.

### HTM (HAMM Temperature Meter)

Measures the surface temperature of the asphalt and displays this on the dashboard.

### Camera system

Camera on the cabin roof with display on the dashboard.



# YOUR WIRTGEN GROUP CUSTOMER SUPPORT

Service you can always rely on.

Place your trust in our reliable and fast support during the complete life cycle of your machine. Our wide service offer includes suitable solutions to meet all of your challenges.



### Service

We keep our service promises - with fast and uncomplicated assistance both on the building site and in our professional workshops. Our Service team has received expert training. Thanks to special tools, repair, care and maintenance work is completed quickly. Upon request, we can support you with tailored service agreements.

> [www.wirtgen-group.com/service](http://www.wirtgen-group.com/service)



### Spare parts

Original parts and accessories from WIRTGEN GROUP can ensure the high reliability and availability of your machines in the long term. Our experts will be glad to advise you on application-optimised wear part solutions. Our parts are available worldwide, at any time and are easy to order.

> [parts.wirtgen-group.com](http://parts.wirtgen-group.com)



### Training

Staff responsible for the WIRTGEN GROUP's product brands are specialists in their areas and have decades of application experience. Our customers also greatly benefit from these experts. In our WIRTGEN GROUP training courses, we gladly pass on our knowledge to operators and service personnel.

> [www.wirtgen-group.com/training](http://www.wirtgen-group.com/training)



### Telematics solutions

Construction machines with leading technology and perfected telematics solutions work hand-in-hand in the WIRTGEN GROUP. The Operations Center\* - the platform for digital solutions for process, machine and service optimization - allows you not only to simplify maintenance planning for your machines but also to increase your productivity and cost-effectiveness.

> [www.wirtgen-group.com/telematics](http://www.wirtgen-group.com/telematics)

\* John Deere Operations Center™ (formerly WITOS) is currently not available in all countries. Please consult your responsible branch or dealer if you have any questions in this area.

# TECHNICAL SPECIFICATIONS OVERVIEW



## HP SERIES

### Basic data

Machine type	Weight class (t)	Max. working width (in)	Engine power (HP)	Wheel load (t)	Operating weight min. (t)	Operating weight max. (t)
--------------	------------------	-------------------------	-------------------	----------------	---------------------------	---------------------------

### Machines in accordance with the EPA Tier 4 / EU Stage V exhaust emission standard

HP 180i	8 - 18	82	75.3	1.0 - 2.2	8,515	17,180
HP 280i	10 - 28	82	115.6	1.3 - 3.5	9,505	26,970

**WIRTGEN AMERICA**

6030 Dana Way  
Antioch, TN 37013  
USA

T: 1 615 501 0600  
M: [info.america@wirtgen-group.com](mailto:info.america@wirtgen-group.com)

 [www.wirtgen-group.com/america](http://www.wirtgen-group.com/america)



For further information, scan the code or visit  
[www.wirtgen-group.com/products-hamm](http://www.wirtgen-group.com/products-hamm)