

Technical information

# SUPER 1300-3i



## Tracked paver SUPER 1300-3i

Compact Class

### TECHNICAL HIGHLIGHTS

- > Maximum paving width 16 ft. 5 in. (5 m)
- > Maximum laydown rate 385 tons/h (350 tonnes/h)
- > Transport width 6 ft. 1 in. (1.85 m)
- > Engine output: 100 hp (74.4 kW) at 2,000 rpm

### SUPER 1300-3i - compact and powerful

The SUPER 1300-3i is an extremely compact paver and yet has a high laydown rate and a pave width of up to 16 ft. 5 in. (5 m).

With a range of pave widths extending from 2 ft. 6 in. to 16 ft. 5 in. (0.75 m to 5 m), the SUPER 1300-3i copes effortlessly with combined sidewalks and bicycle paths, farm tracks, and minor roads and squares. The powerhouse is driven by a modern 100 hp (74.4 kW) diesel engine.



## TECHNICAL DATA

### Power unit

<b>Engine</b>	
> Version	4-cylinder diesel engine, liquid-cooled
> Manufacturer	Deutz
> Type	TCD 3.6 L4
<b>Output</b>	
> Nominal	100 hp (74.4 kW) at 2,000 rpm
> ECO mode	92 hp (68.7 kW) at 1,600 rpm
<b>Emissions information</b>	
> Exhaust emissions standards	EU Stage V, US EPA Tier 4f
> Exhaust gas after-treatment	DOC, DPF, SCR
<b>Fuel tank</b>	29 gallons (US) (110 liters)

### Undercarriage

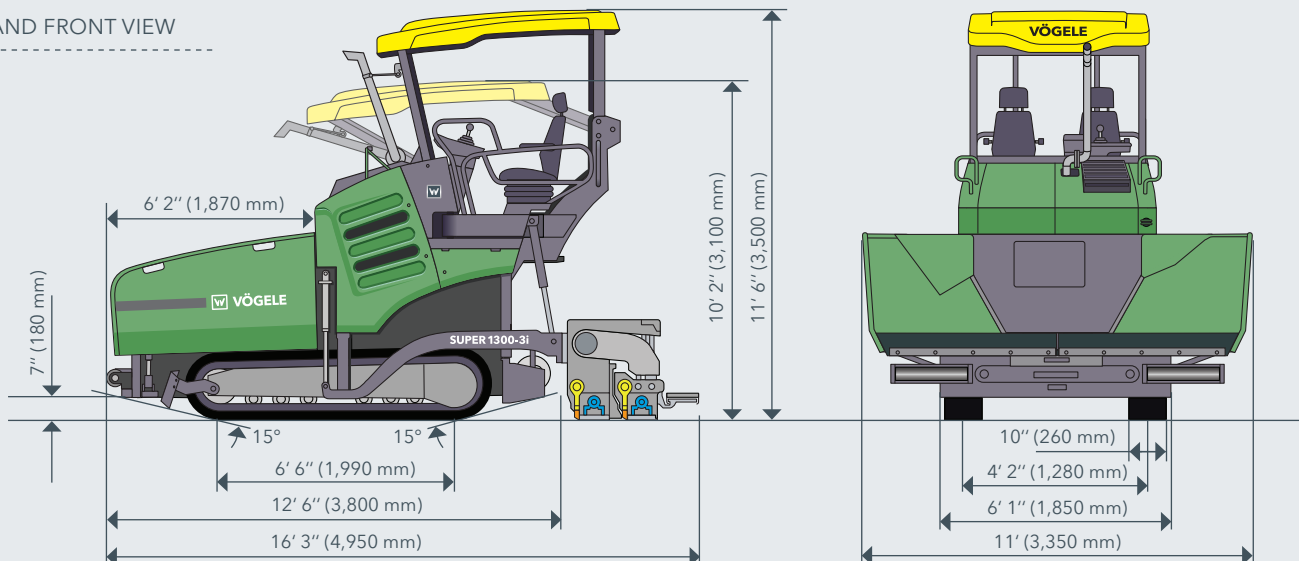
<b>Crawler tracks</b>	
> Version	with rubber pads
> Ground contact	6 ft 6 in x 10 in (1,990 mm x 260 mm)
> Track tension adjuster	spring assembly
> Lubrication of track rollers	lifetime
<b>Traction drive</b>	separate hydraulic drive and electronic control provided for each crawler track
<b>Speeds</b>	
> Paving	up to 98 fpm (30 m/min), infinitely variable
> Travel	up to 2.8 mph (4.5 km/h), infinitely variable

### Material hopper

<b>Hopper capacity</b>	22,000 lbs (10 tonnes), including conveyor tunnel
<b>Width</b>	11 ft. (3,350 mm)
<b>Feed height</b>	23 in. (580 mm) (bottom of material hopper)
<b>Push-rollers</b>	
> Standard	oscillating
> Position	can be displaced forwards by 3 in. (80 mm)

Conveyors and augers	
<b>Conveyors</b>	
> Version	2, with replaceable feeder bars, conveyor movement reversible for a short time
> Drive	separate hydraulic drive provided for each conveyor
> Speed	up to 85 rpm (29 m/min.), infinitely variable (manual or automatic)
<b>Augers</b>	
> Version	2, with exchangeable auger blades, auger rotation reversible
> Diameter	12 in. (300 mm)
> Drive	separate hydraulic drive provided for each auger
> Speed	up to 85 rpm, infinitely variable (manual or automatic)
<b>Auger height</b>	
> Standard	infinitely variable by 5 in. (13 cm), mechanical
> Option	infinitely variable by 5 in. (13 cm), hydraulic
<b>Screed</b>	<b>AB 340</b>
<b>Basic width</b>	5 ft. 11 in. to 11 ft. 2 in. (1.8 m to 3.4 m)
<b>Maximum width (TV)</b>	16 ft. 5 in. (5 m)
<b>Min. paving width with system for paving width reduction</b>	2 ft. 6 in. (0.75 m)
<b>Reduction in width</b>	by cut-off shoes, 2 x 1 ft. 9 in. (52.5 cm)
<b>Compacting systems</b>	V, TV
<b>Layer thickness</b>	up to 10 in. (25 cm)
<b>Screed heating</b>	
> Version	electric by heating rods
> Power supply	three-phase AC generator
Dimensions (transport) and weights	
<b>Length</b>	
> Version	tractor unit and screed
> AB 340 TV	16 ft. 3 in. (4.95 m)
<b>Weights</b>	
> Version	tractor, hardtop and screed
> Paving widths up to 11 ft. 2 in. (3.4 m)	23,920 lbs (10,850 kg)
> Paving widths up to 16 ft. 5 in. (5 m)	25,355 lbs (11,500 kg)

SIDE AND FRONT VIEW



### THE HIGHLIGHTS OF THE SUPER 1300-3i

- > Large range of applications for paving widths up to 16 ft. 5 in. (5 m)
- > Powerful and economical drive concept with a modern 100 hp (74.4 kW) diesel engine
- > Large material hopper and PaveDock Assistant communication system ensure optimum feeding with mix
- > ErgoPlus 3 operating system with numerous convenient and automatic functions
- > AutoSet Basic function for quick and safe repositioning of the paver on the job site
- > AB 340 Extending Screed ensures perfect paving results

FEATURES	SUPER 1300-3i
> Powerful three-phase AC generator with generator management	■
> Electronic engine management with ECO mode and controlled fan drive	■
> Wide push-rollers can be displaced forwards by 80 mm	■
> Manual hopper front	■
> Hydraulic hopper front	□
> PaveDock Assistant communication system	□
> AutoSet Basic	□
> Hardtop with sunshades	□
> Working lights, halogen	■
> Working lights, LED	□
> Simple, ergonomic ErgoPlus 3 operating concept	■
> 2 ErgoPlus 3 screed operator's consoles with color display	■
> 2 comfortable operator's seats	■
> 2 ergonomic heated operator's seats	□
> Mechanical sensor to control augers	■
> Sonic sensor to control augers	□
> Niveltronic Plus System for Automated Grade and Slope Control	□
> Variety of grade and slope control sensors	□
> Washdown system with hose reel	□

This list is just an extract of the scope of supply.  
Standard features and options may differ by sales region.

■ Standard feature    □ Option

#### Wirtgen America, Inc.

6030 Dana Way  
Antioch, TN 37013  
USA

T: 615 501-0600  
F: 615 501-0691

➤ [www.wirtgen-group.com/america](http://www.wirtgen-group.com/america)

